

ARNEX PS2500

Under glass awning with ZIP guide

PS2500



	min. 195 cm max. 600 cm		min. 100 cm max. 450 cm
---	----------------------------	---	----------------------------

	0°–25°
---	--------

Description

Rectangular extruded box profile 135 mm high and 150 mm wide with rounded corners at the back and bottom front. Bevel in the front lower part of the box profile. The box is mounted using mounting brackets which are fastened in grooves. The side covers are made of cast aluminium alloy. Roller 85 mm diameter in galvanized steel profile.

The system is driven by an AC tubular motor 230 V / 50 Hz.

The guide rails with ZIP guide are made of aluminium and are fastened to grooves in the guide rail using clamp holders. The ZIP guide ensures reliable fabric tension in all directions.

When the fabric is extended, it is tensioned by gas pressure cylinders in the front profile. The front profile is made of extruded aluminium 51 mm high and 120 mm wide.

Awning fabric made of Polyacrylic from the STOBAG Collection according to price list.

Options

Operating packages with io radio transmitter available.

METHOD OF DELIVERY

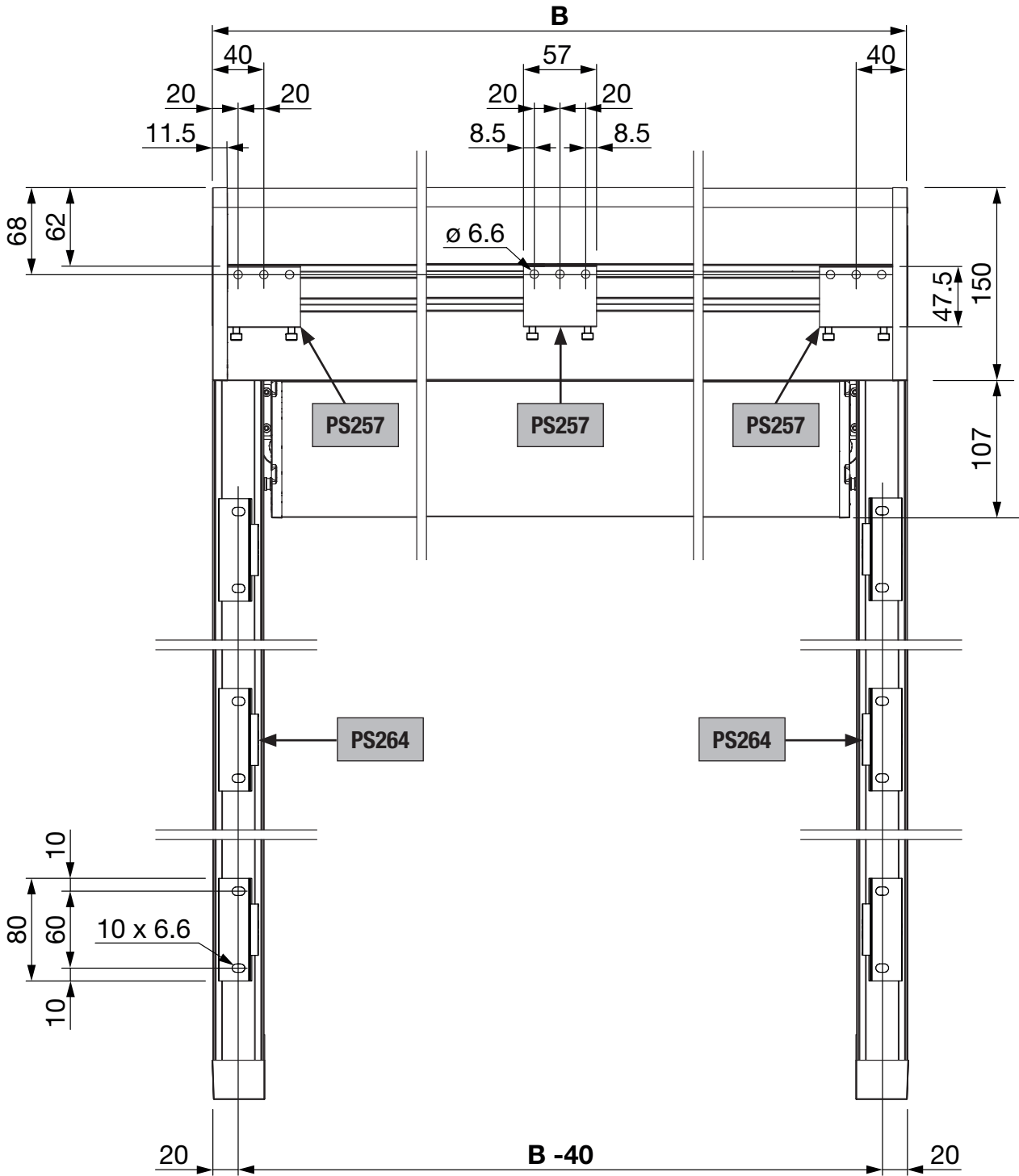
The awning should be assembled with the fabric on, if possible. The guide rails are supplied separately. Fasteners for other substrates are not supplied. Fasteners to the product NYON GP3100 are included.

ARNEX PS2500

Under glass awning with ZIP guide

Floor plan (flush externally)

without NYON GP3100

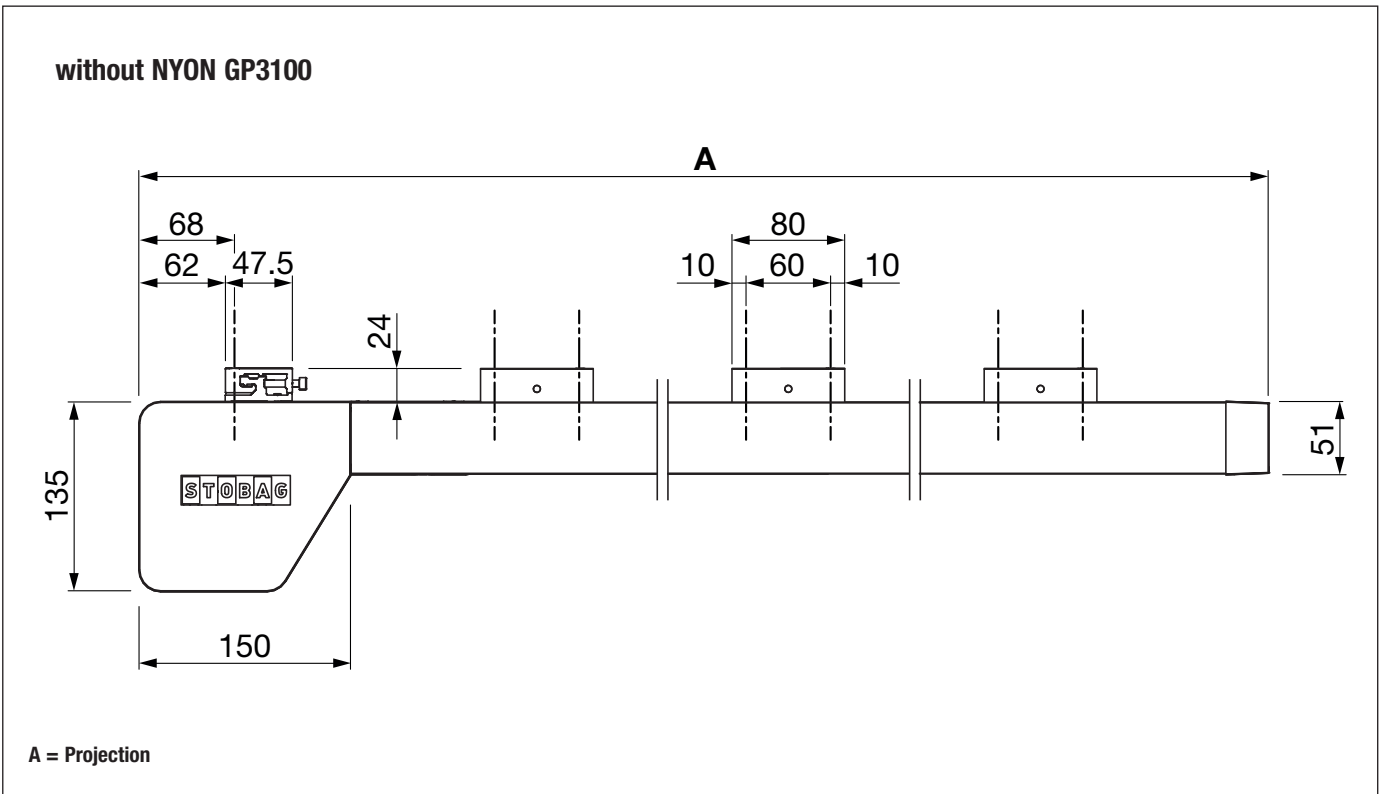


B = Total width

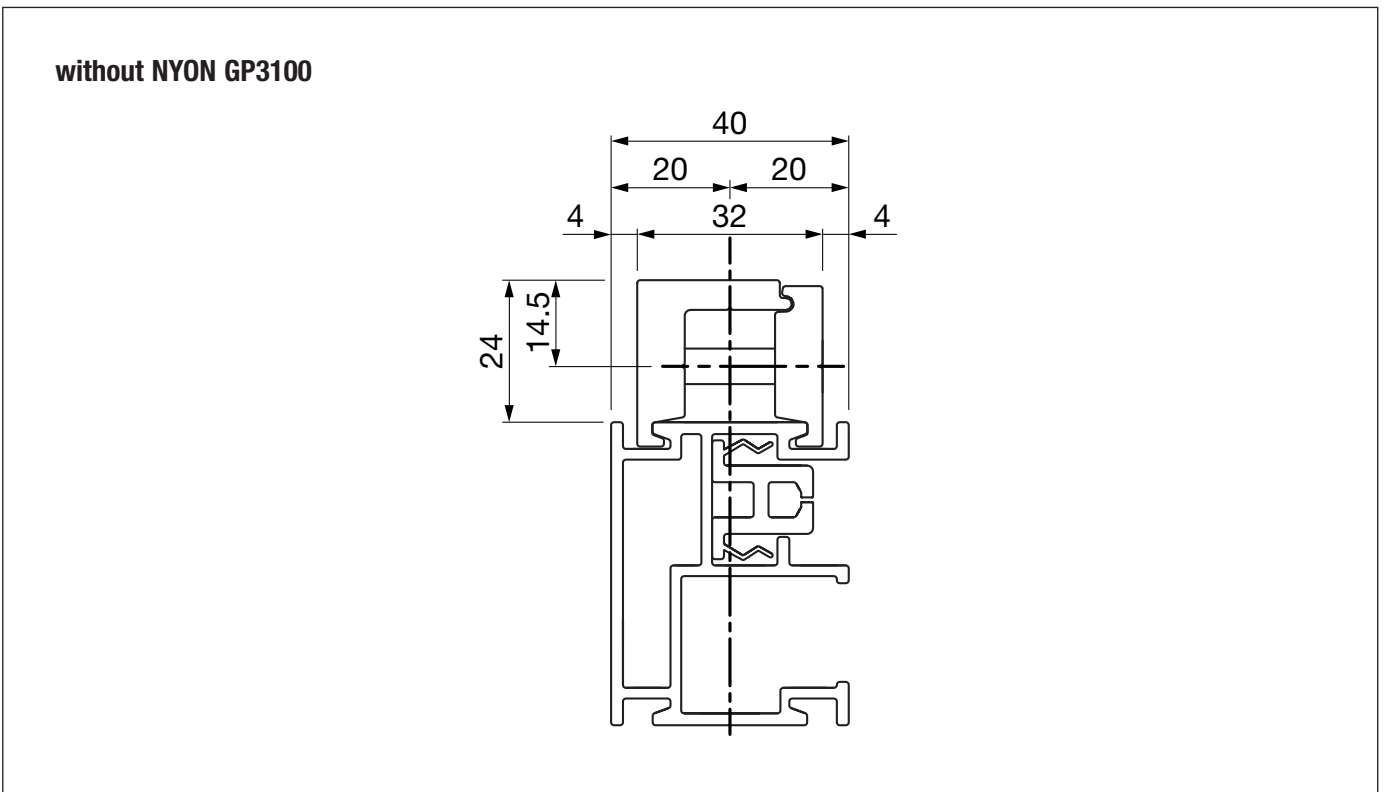
ARNEX PS2500

Under glass awning with ZIP guide

View (flush externally)



Section with holder PS264 (flush externally)

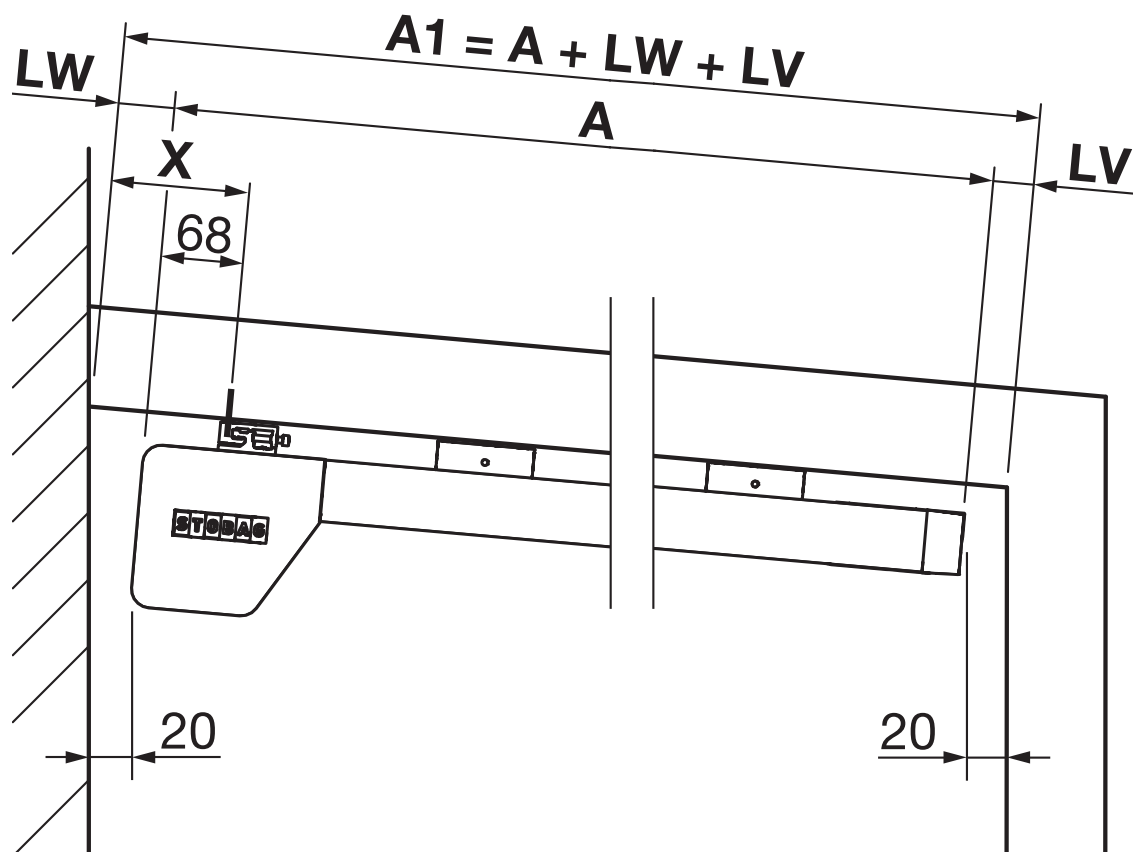



ARNEX PS2500

Under glass awning with ZIP guide

Installation plan

without NYON GP3100



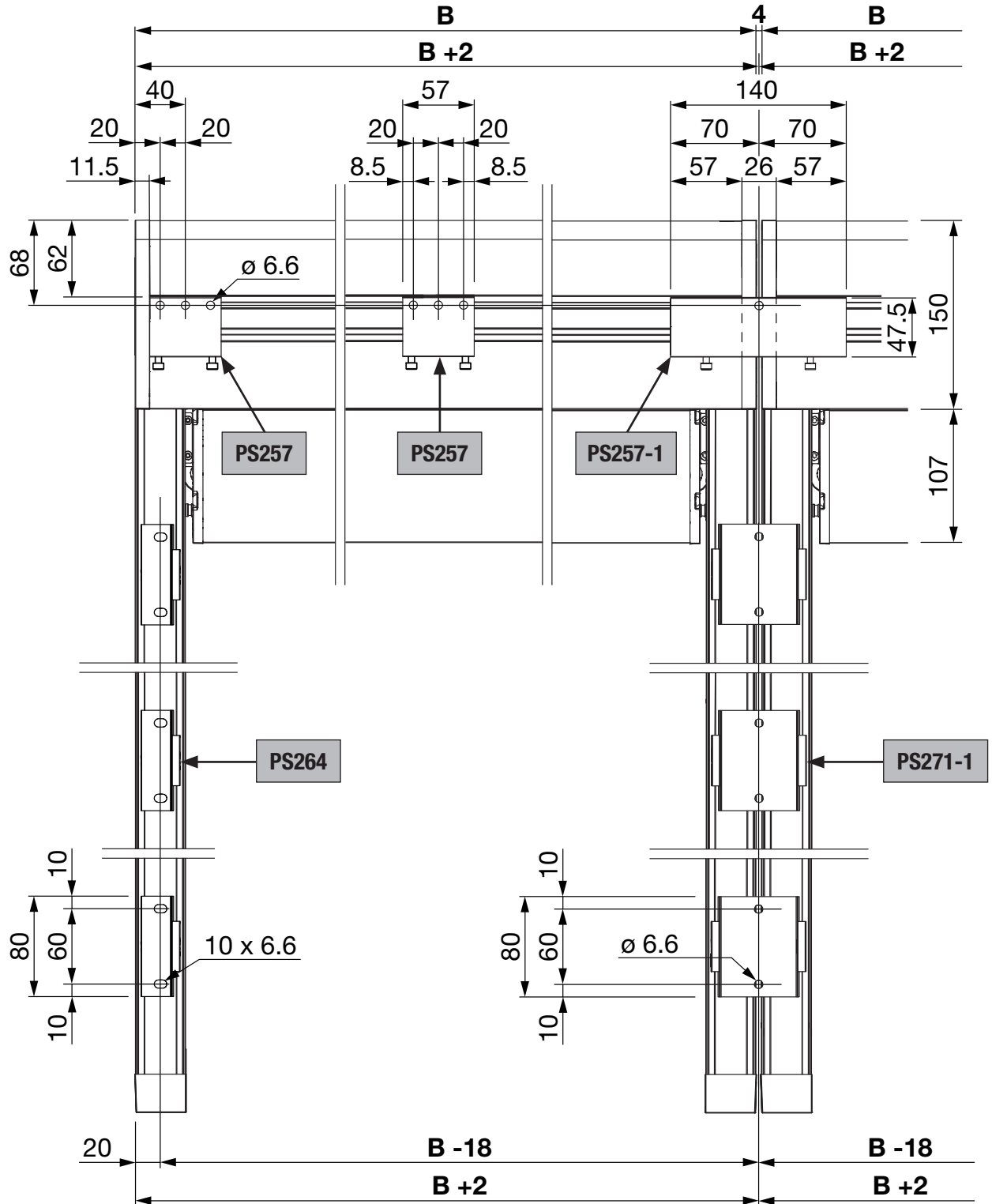
	X (mm)	LW (mm)	LV (mm)
0°	87	20	20
2.5 °	93	26	19
5°	100	33	18
7.5 °	106	39	17
10 °	113	46	16
12.5 °	120	53	15
15 °	127	60	14
17.5 °	134	67	13
20 °	141	74	13
22.5 °	149	82	12
25 °	157	90	11

ARNEX PS2500

Under glass awning with ZIP guide

Floor plan (coupled)

without NYON GP3100



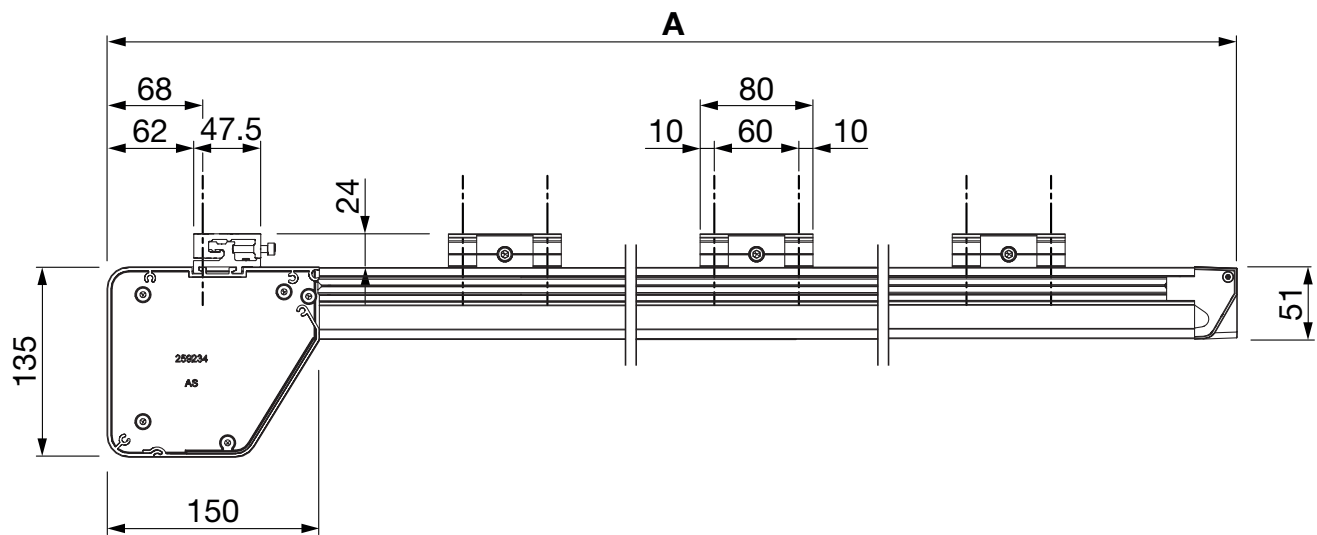
B = Total width

ARNEX PS2500

Under glass awning with ZIP guide

View (coupled)

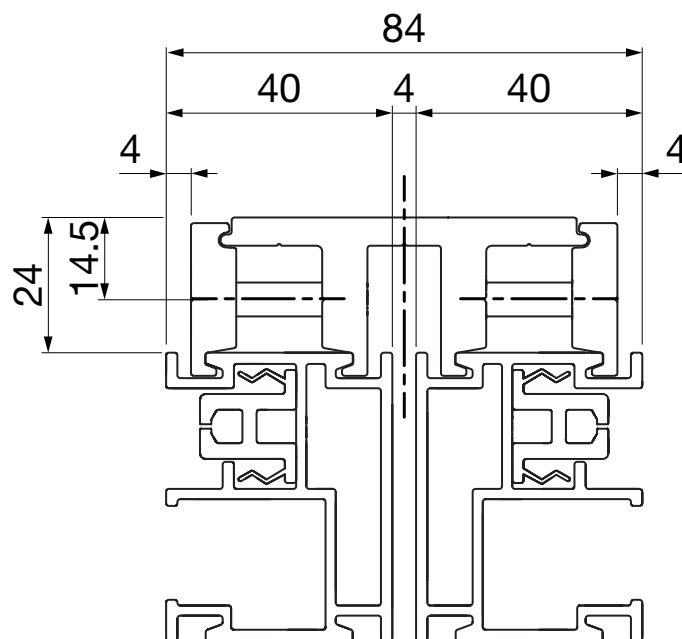
without NYON GP3100



A = Projection

Section with holder PS271-1 (coupled)

without NYON GP3100

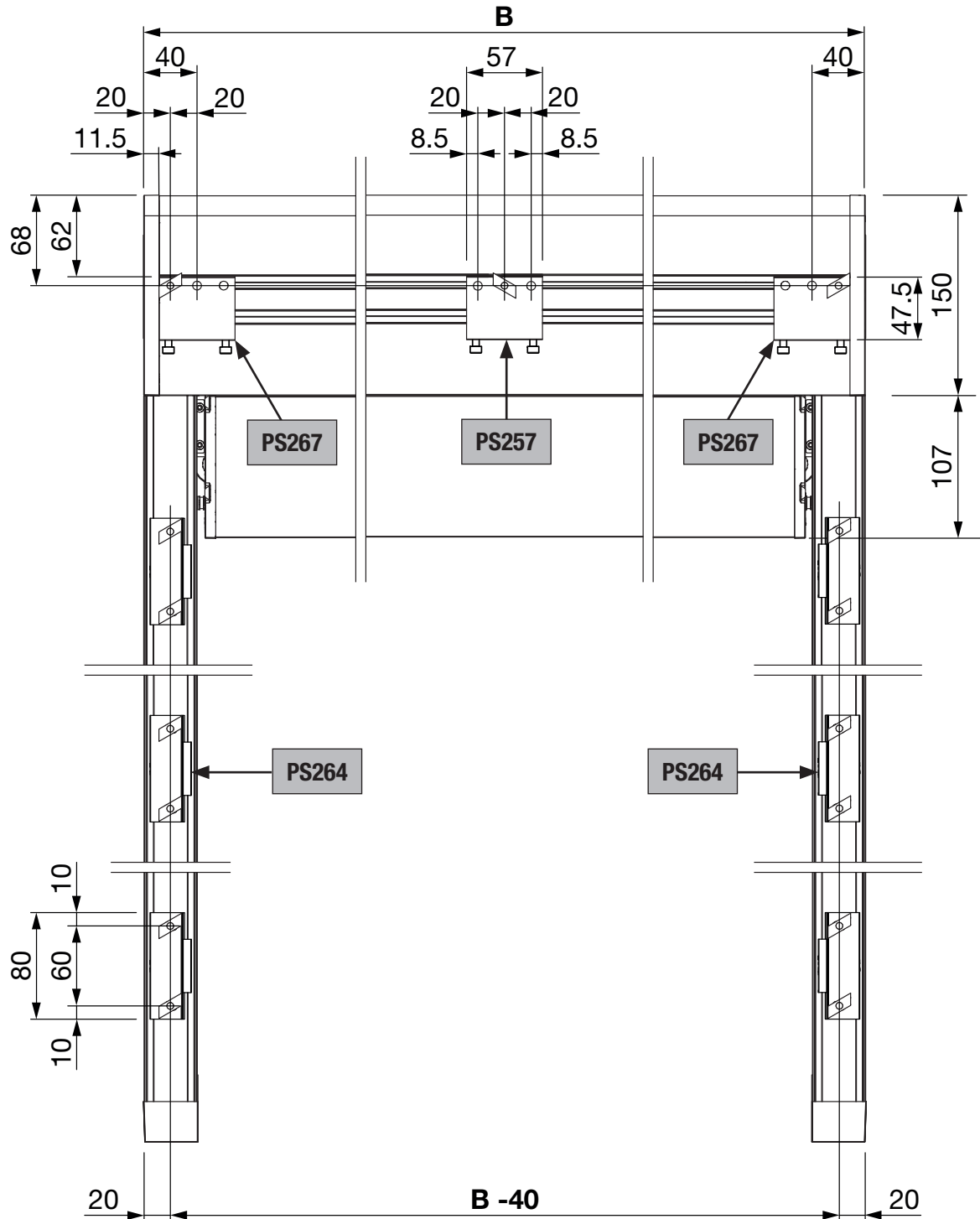


ARNEX PS2500

Under glass awning with ZIP guide

Floor plan (flush externally)

with NYON GP3100

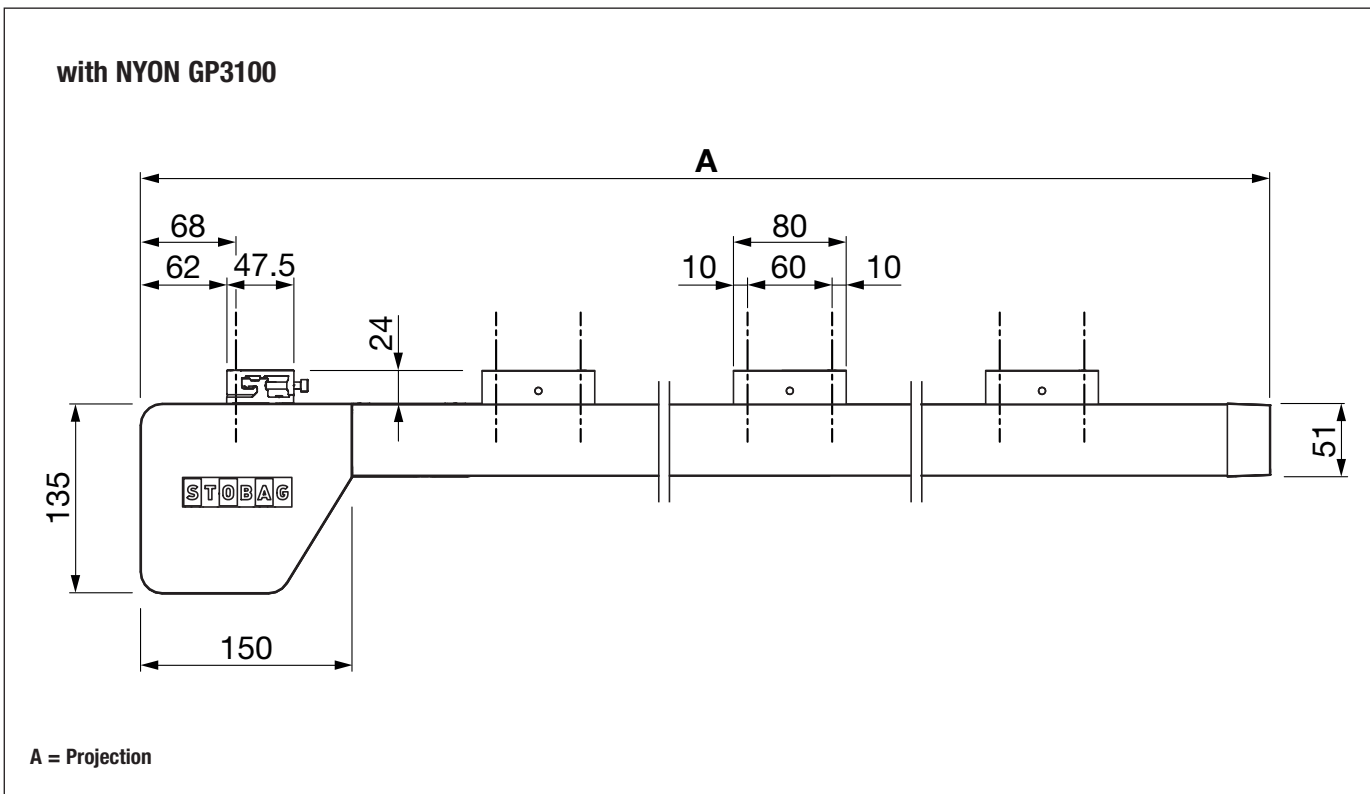


B = Total width

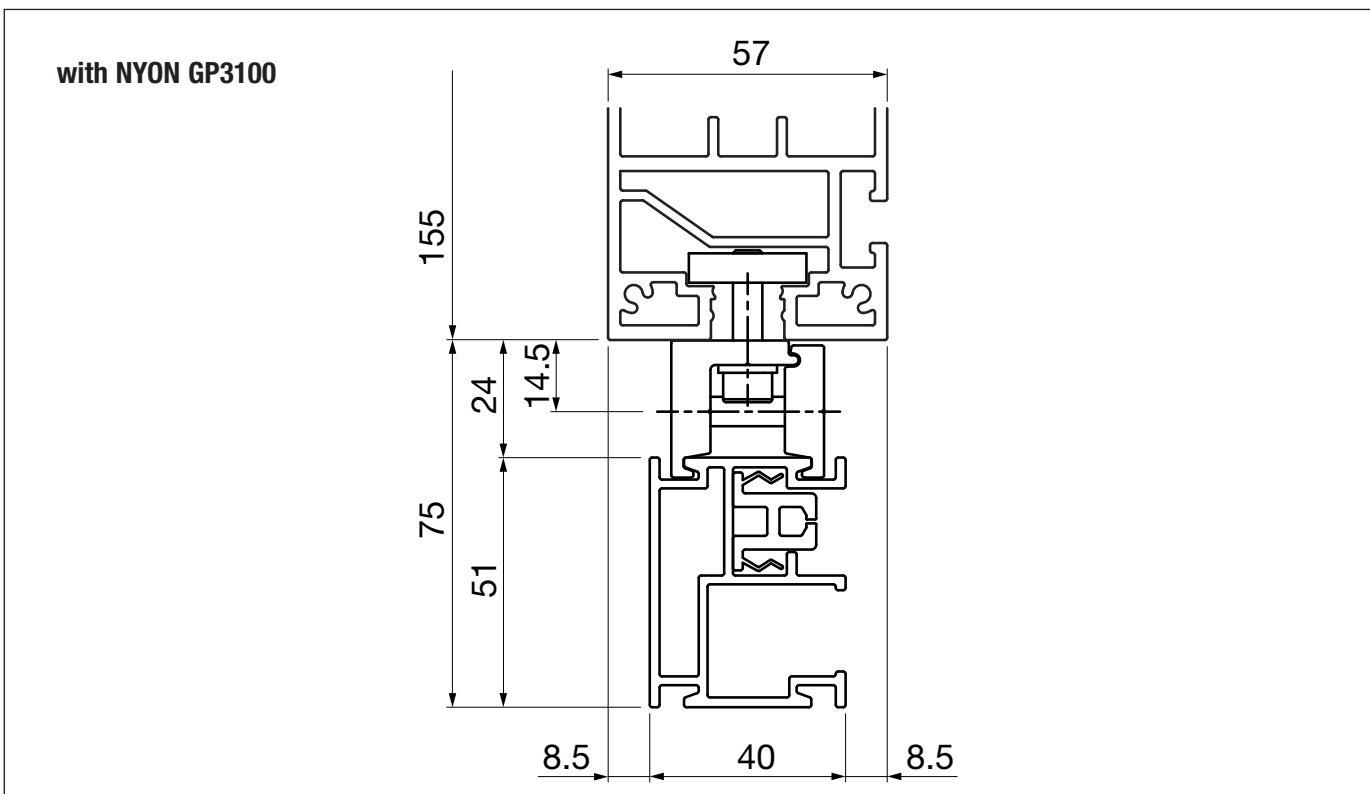
ARNEX PS2500

Under glass awning with ZIP guide

View (flush externally)



Section with holder PS264 (flush externally)

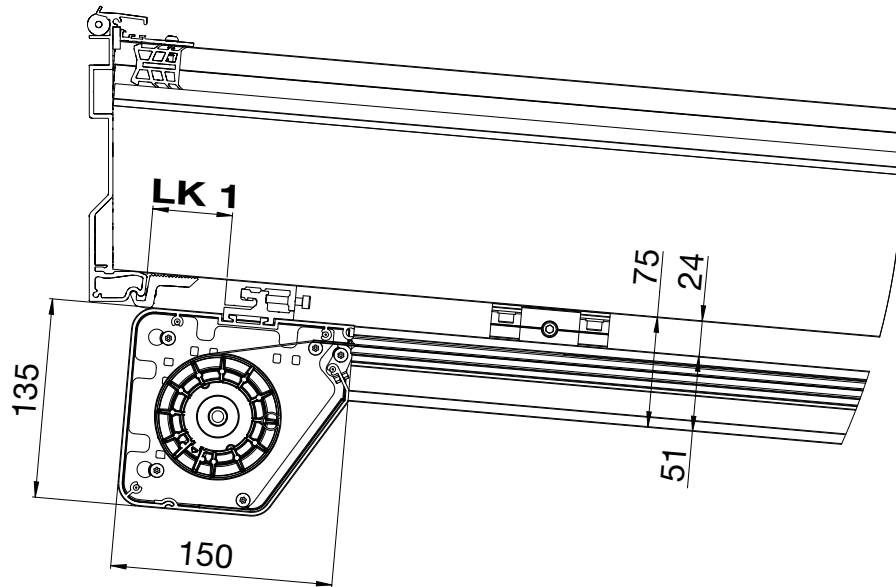


ARNEX PS2500

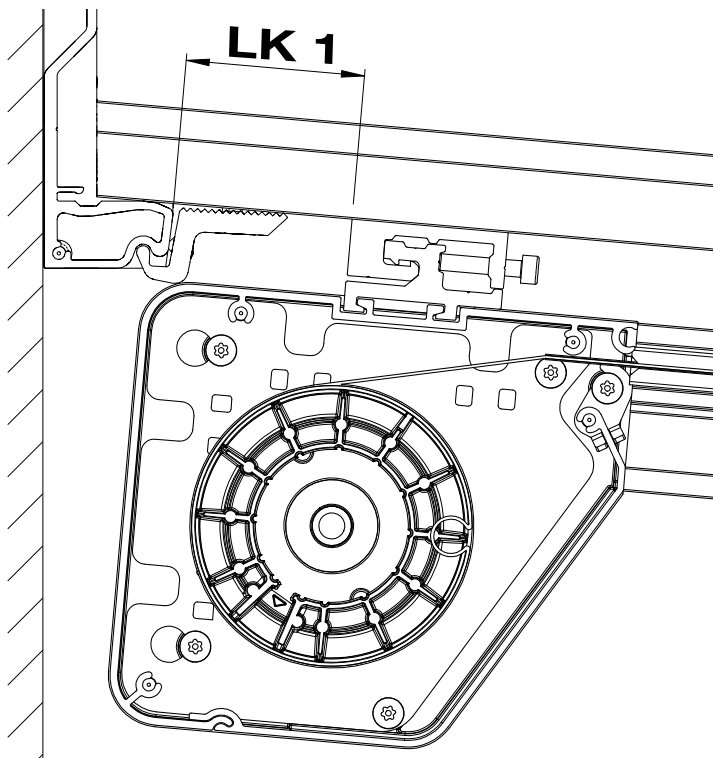
Under glass awning with ZIP guide


Shade

with NYON GP3100



LK 1 Measure

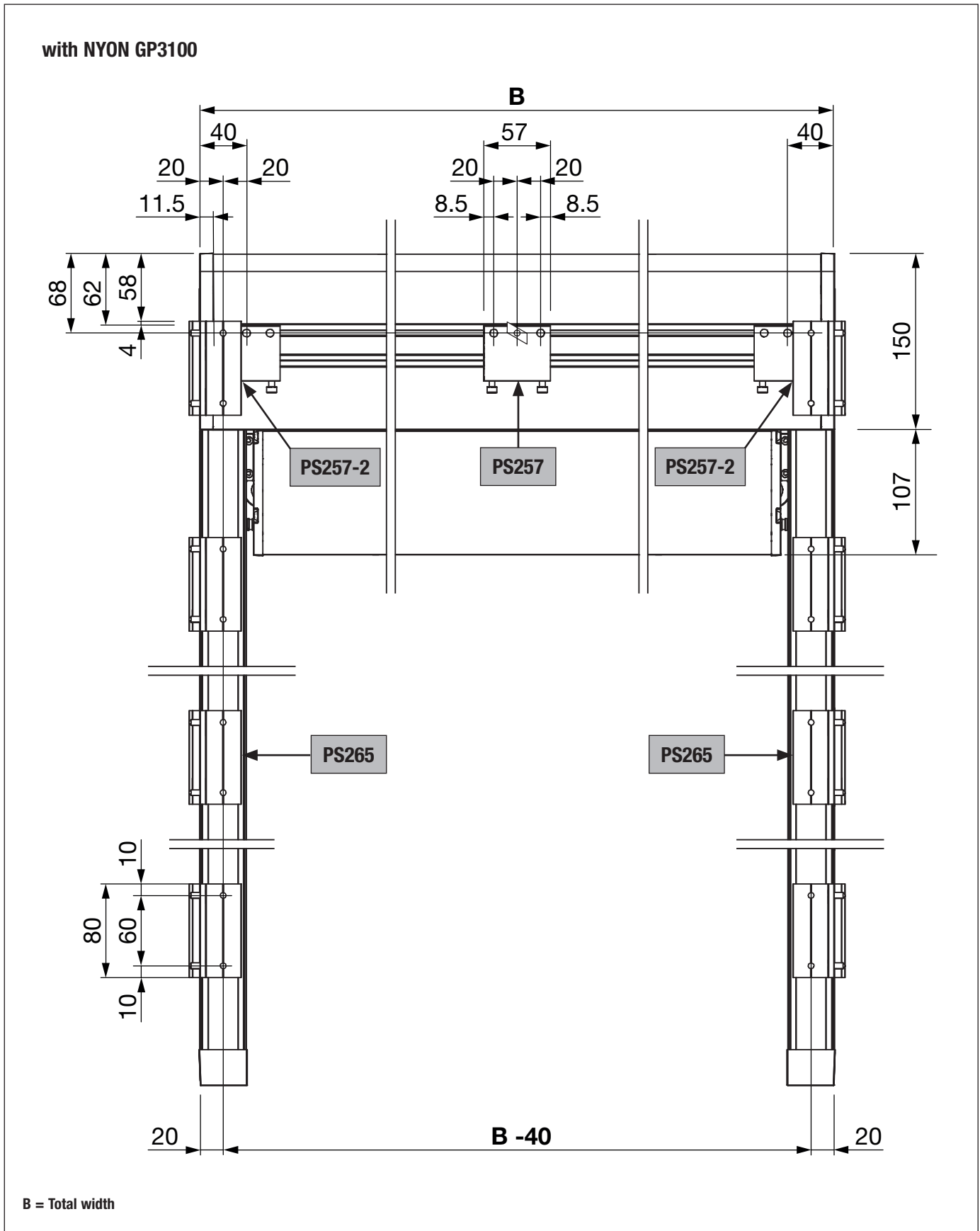


 4°	LK 1 (mm)
3 °	51
5 °	56
7.5 °	62
10 °	69
12.5 °	75
15 °	82

ARNEX PS2500

Under glass awning with ZIP guide

Floor plan (indented)

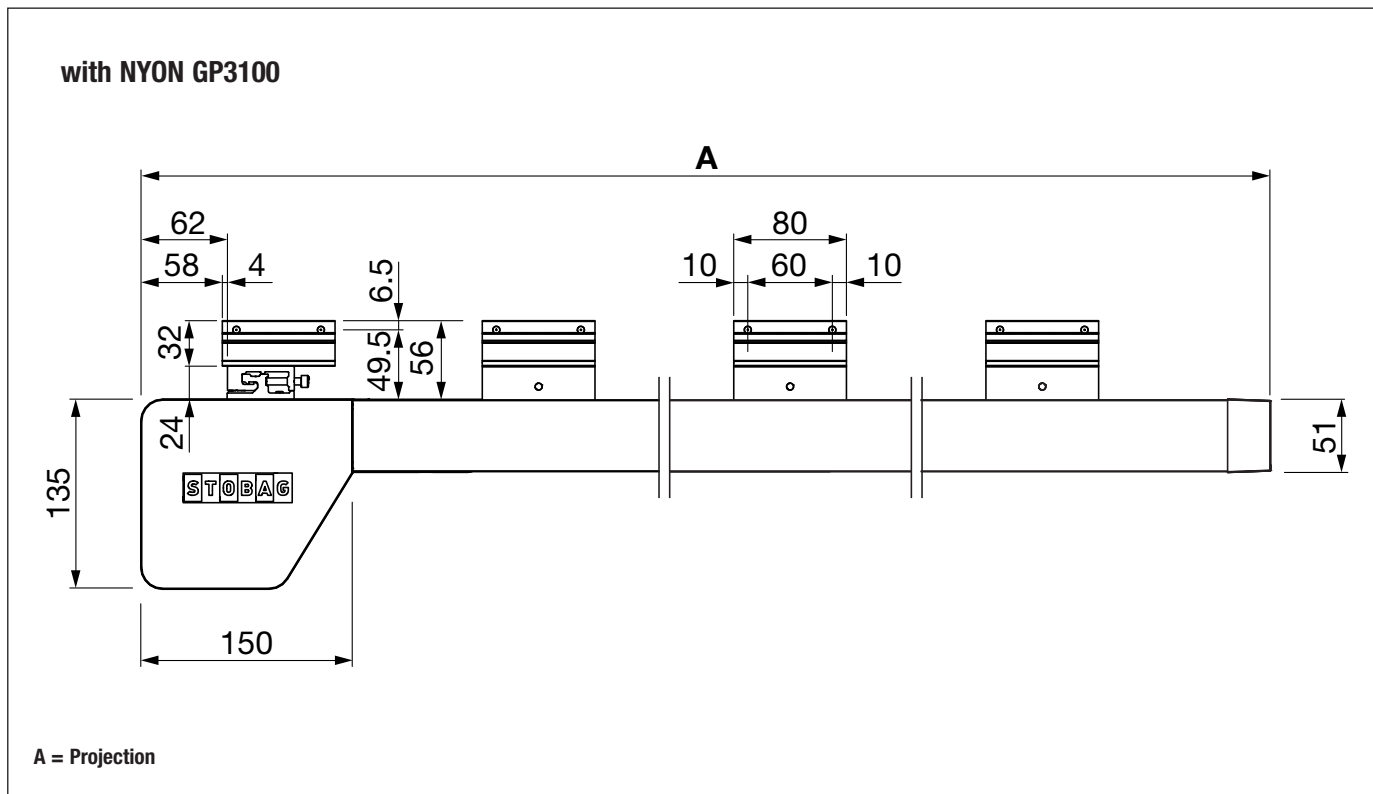


B = Total width

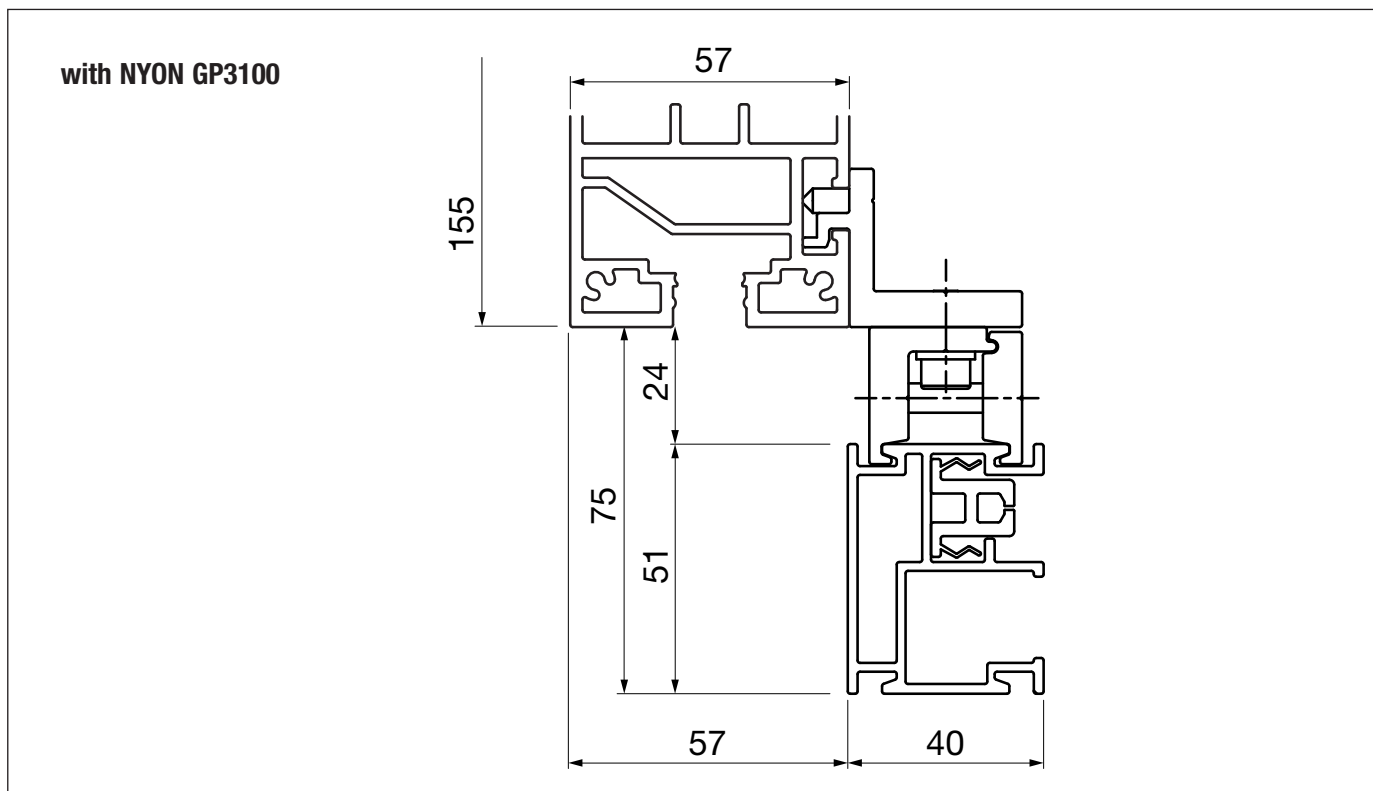
ARNEX PS2500

Under glass awning with ZIP guide

View (indented)



Section with holder PS265 (indented)

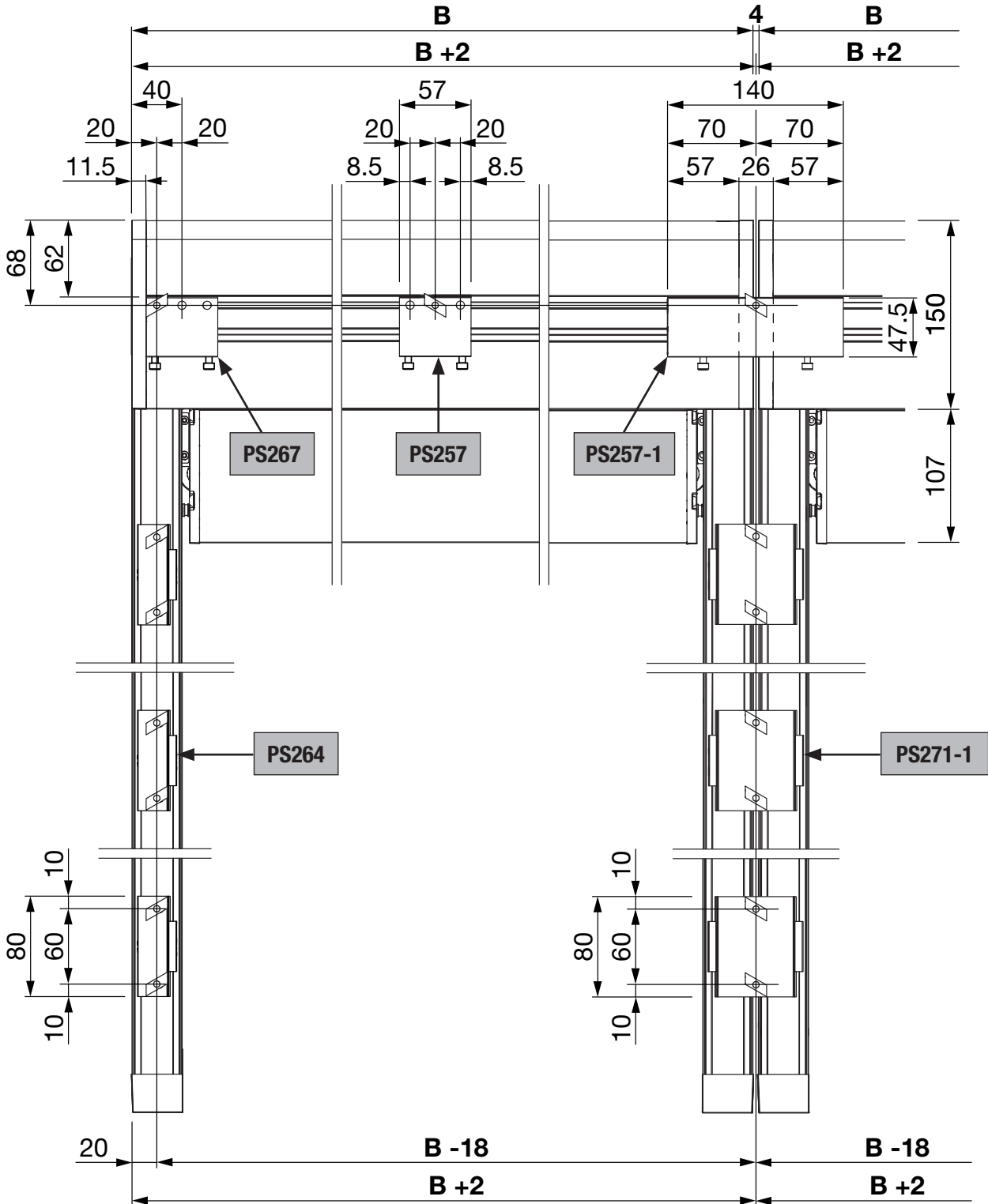


ARNEX PS2500

Under glass awning with ZIP guide

Floor plan (coupled)

with NYON GP3100



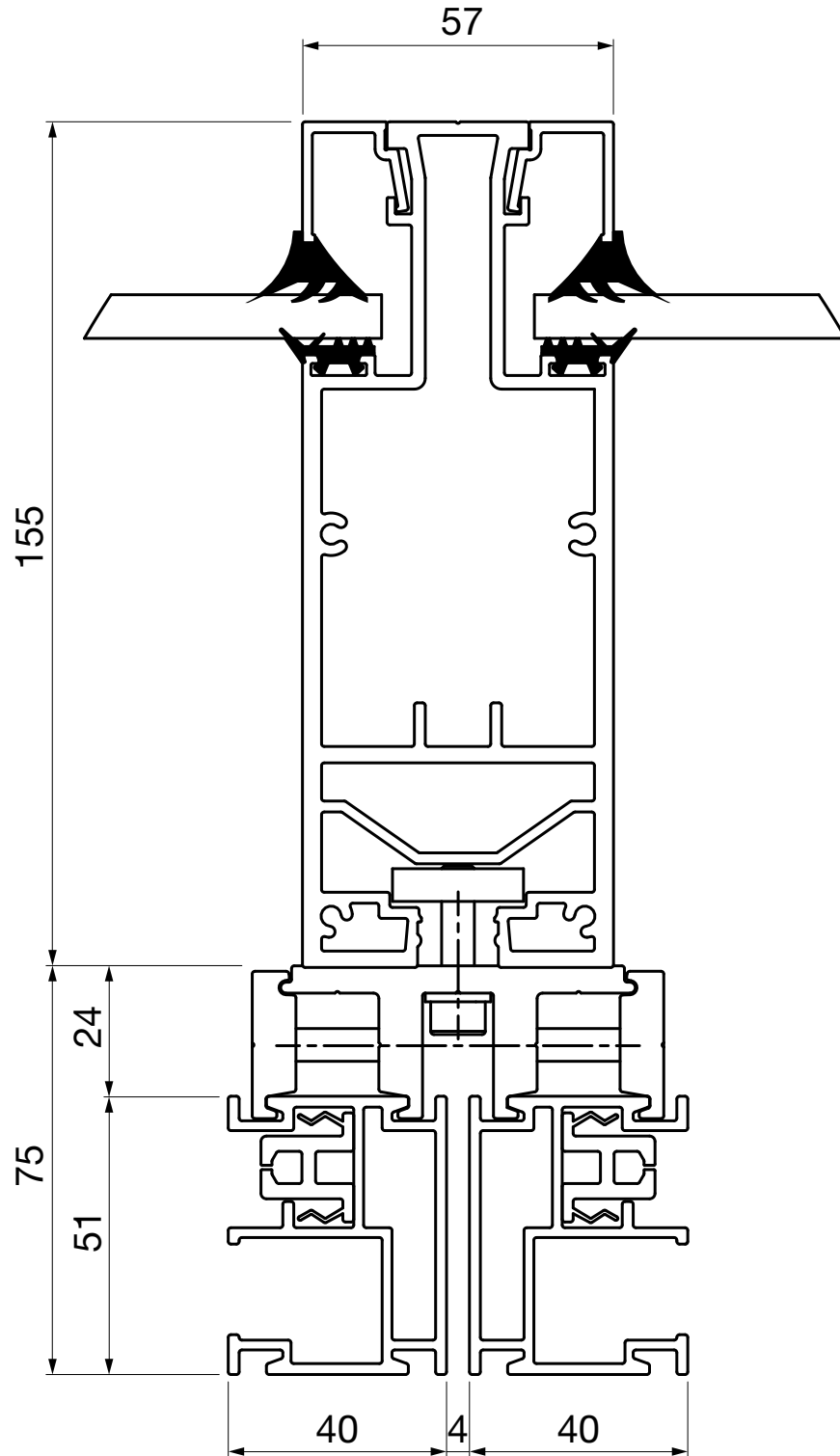
B = Total width

ARNEX PS2500

Under glass awning with ZIP guide

Section with holder PS271-1 (coupled)

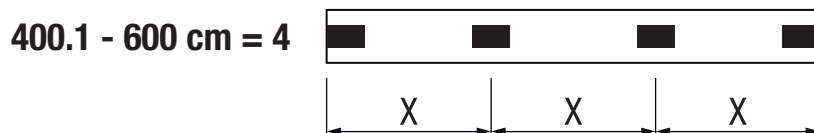
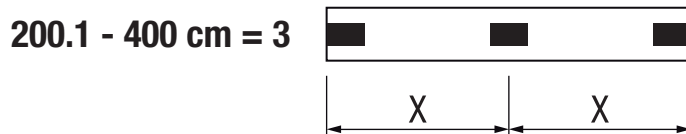
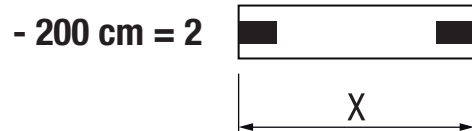
with NYON GP3100



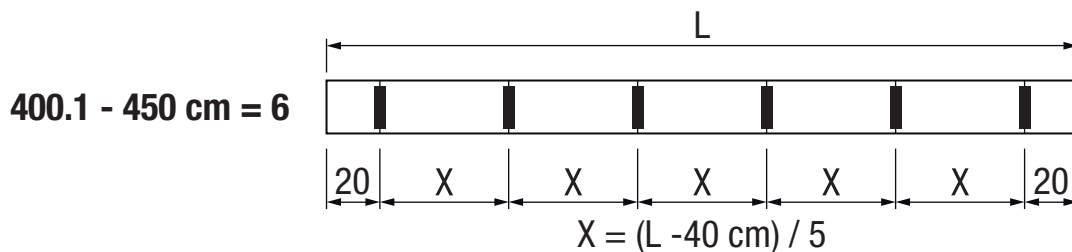
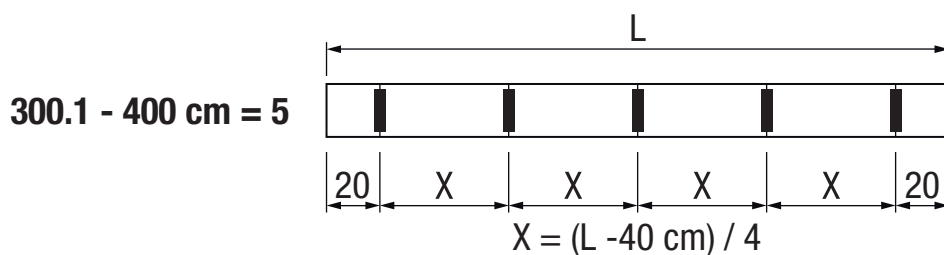
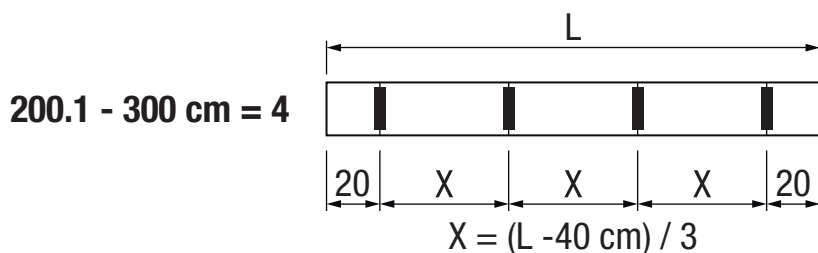
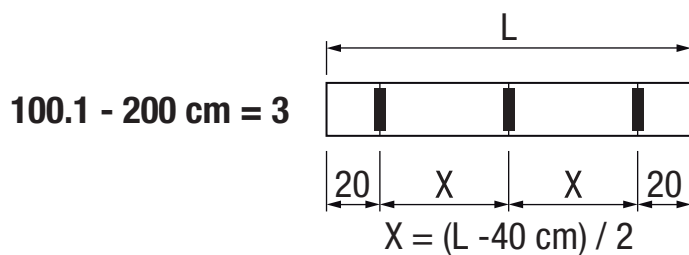
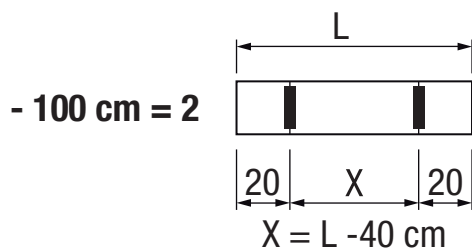
ARNEX PS2500

Under glass awning with ZIP guide

Mounting points (Protective box)



Mounting points (guide rails)

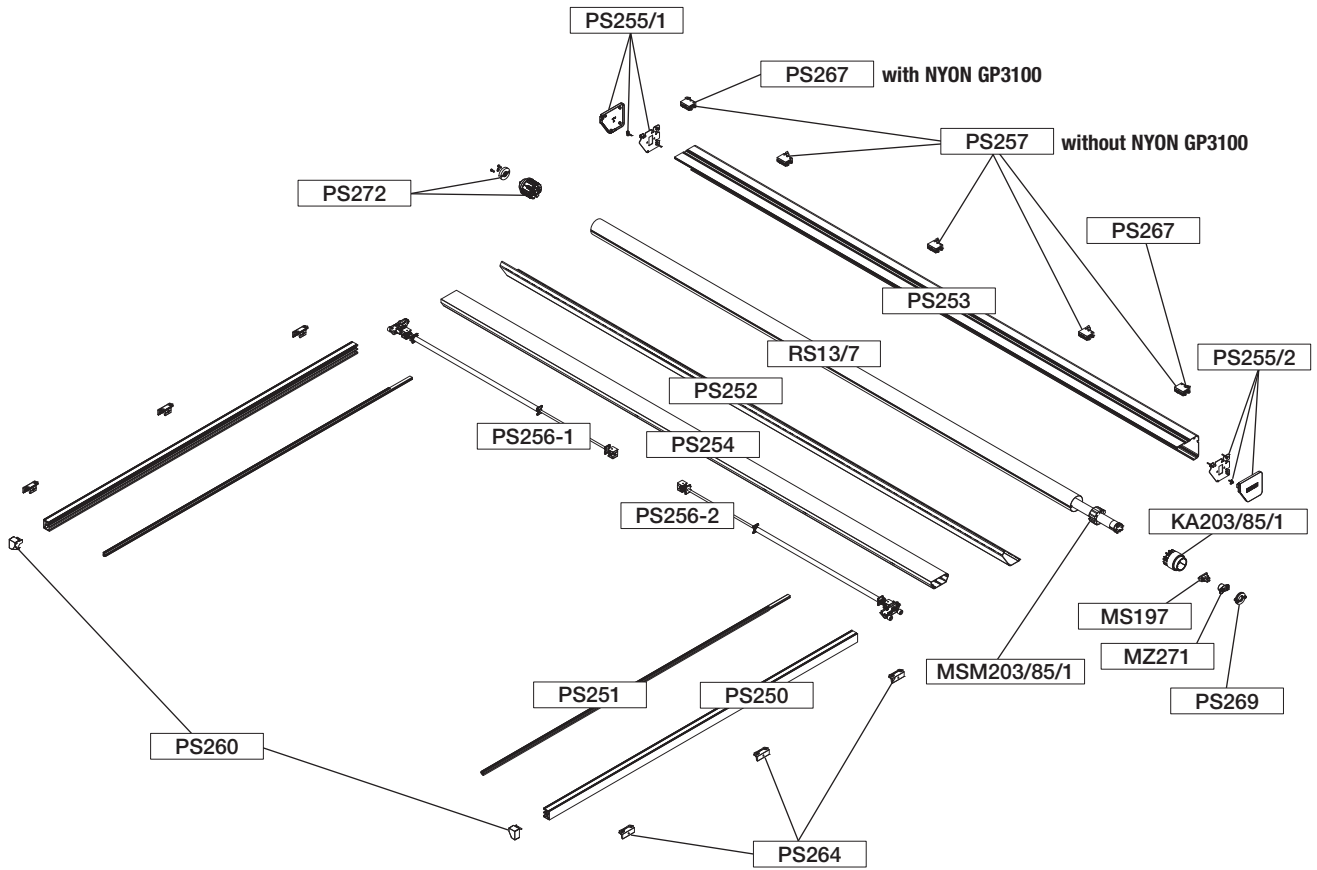


ARNEX PS2500

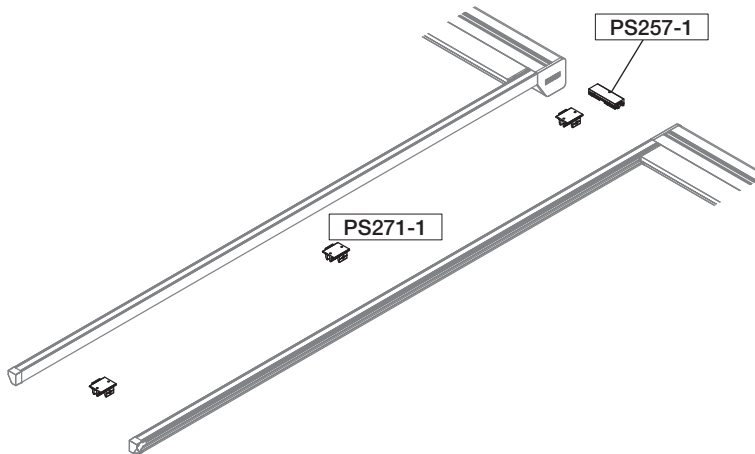
Under glass awning with ZIP guide

Exploded drawing

Flush externally



Coupled



PS2500

ARNEX PS2500

Under glass awning with ZIP guide

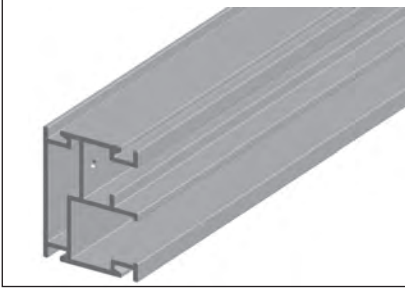
Einzelteil-Stückliste

PS250		Guide rail	350 cm 450 cm	pc. pc.
PS251		Guide profile ZIP	500 cm	pc.
PS252		Box cover profile	400 cm 500 cm 600 cm	pc. pc. pc.
PS253		Box profile	400 cm 500 cm 600 cm	pc. pc. pc.
PS254		Default profile	400 cm 500 cm 600 cm	pc. pc. pc.
PS255/1 PS255/2	left right	Cover set		pc. pc.
PS256-1 PS256-2	left right	Spring element complete		pc. pc.
PS257	for PS253	Mounting bracket set (box)		pc.
PS257-1	for PS253	Mounting bracket set (box coupled)		pc.
PS257-2	for PS253	Mounting bracket set (box indented)		pc.
PS260	for PS250	End cap set		pc.
PS264	for PS250	Clamping set (standard flush on the outside)		pc.
PS265	for PS250	Mounting bracket bracket (indented)		pc.
PS267	for PS253	Mounting bracket side (box left / right)		pc.
PS269		Bearing set ARNEX		pc.
PS271-1	for PS250	Mounting bracket Clamp (coupled)		pc.
PS272	for RS13/7	Against bearing fitting		pc.
KA203/85/1	for RS13/7	Combination adapter (ø 85 mm)		pc.
MSM203/85/1		85 Series Driving Engine		pc.
MS197		Engine bracket bracket assembly		pc.
MZ271		Engine bearings		pc.
RS13/7		Fabric roller (ø 85 mm)	500 cm 600 cm 700 cm	pc. pc. pc.

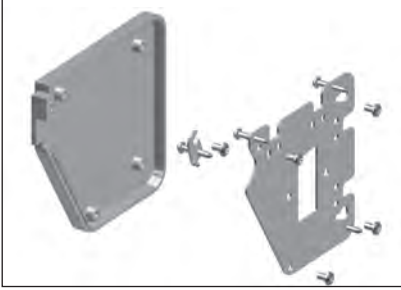
ARNEX PS2500

Under glass awning with ZIP guide

PS250



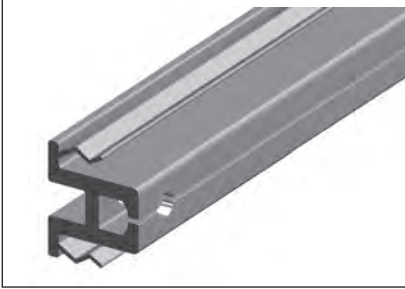
PS255/1



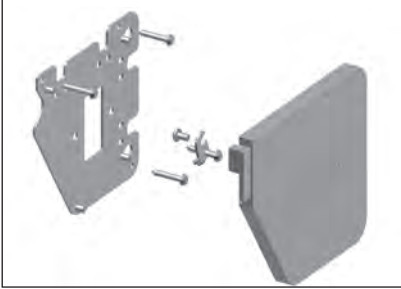
PS257-2



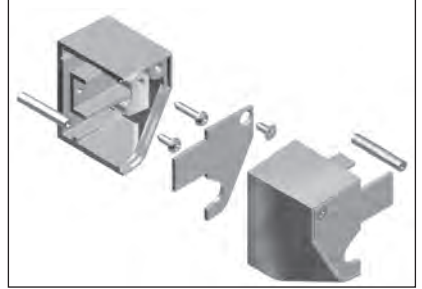
PS251



PS255/2



PS260



PS252



PS256-1 / PS256-2



PS264



PS253



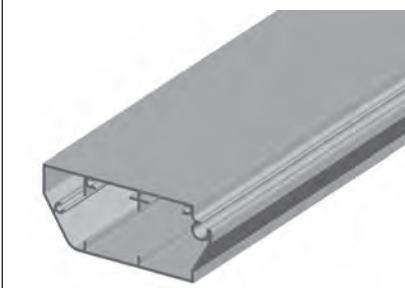
PS257



PS265



PS254



PS257-1



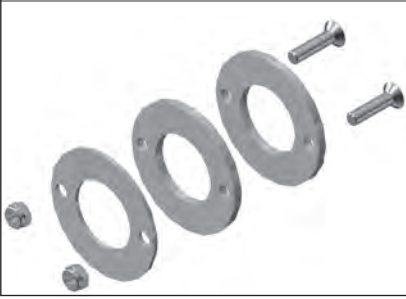
PS267



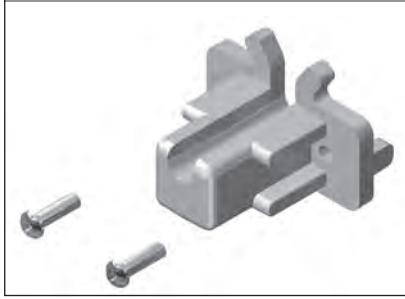
ARNEX PS2500

Under glass awning with ZIP guide

PS269



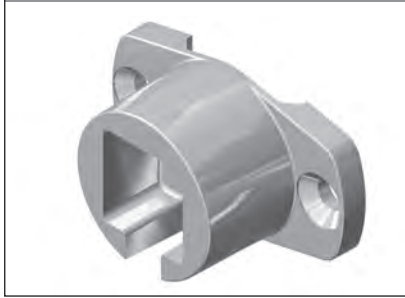
MS197



PS271-1



MZ271



PS272



RS13/7



KA/203/85/1



MSM203/85/1

