

# BOXMOBIL OS7000

Free-standing large area awning

## OS7000



	min. 210 cm max. 662 cm		min. 300 cm max. 700 cm
--	----------------------------	--	----------------------------

with gearbox:

	5° – 25°		~ 300 cm
--	----------	--	----------

with motor:

	5° – 35°		~ 300 cm
--	----------	--	----------

## Description

The free-standing shading awning is comprised of two TENDABOX BX3000 cassette awnings which hang from the steel supports. The steel supports located on the exterior are held by concrete sockets or floor sleeves so that the awning can be fitted as free-standing. The two cassette awnings can be retracted and extended individually or at the same time.

One-piece U-shaped protective cover (Dimension 179 x 145 mm), as from 500 cm total width protective cover inner reinforcement (Dimension 179 x 145 mm) of extruded aluminium profile as support element of structure with a groove at the upper end of profile for inserting sealing brush. Side cover as cassette end for accepting roller shaft  $\varnothing$  78 or  $\varnothing$  85 of galvanised steel and for securing folding arms. Mount security flange (on side cover) with hooks for hanging the awning. Securing flange, side cover, bracket are all made of aluminium casting alloy. Awning is extended and retracted manually via a bevel gearbox with integrated end stop and freewheel operating handle ring, speed reduction 4.6:1. The bevel gearbox is operated via a removable crank shaft of powder-coated metal in white, grey or black with hook and plastic handle. Up to 600 cm total width (folding arm S534), as from 600 cm total width motor drive (folding arm BX330). Front rail of extruded aluminium in rounded (98 x 131 mm) or square (98 x 131 mm) shape with matching plastic end caps. Folding arms with inverse incline of aluminium extruded profiles and precision parts of aluminium cast alloy, internal tension springs and double stainless steel cables and cable protector over the middle joint. Simple and continuous inclination angle adjustment via a hexagon socket screw in the mounting flange from 5° - 25° with gear and 5° - 35° with motor.

The aluminium profiles and aluminium cast parts are powder-coated in facade quality. All visible screws are stainless steel. The cover with a spin-dyed acrylic cloth (price category 1), colour consistent, very high UV protection, good tensile strength, water and dirt resistant is from the STOBAG collection.

### Optionen:

#### Roller tube screen

Extruded aluminium profile as screen.

#### Volant-Plus

Volant-Plus is a drop profile with integrated roller shaft, fabric and declining profile. The fabric can be lowered with a gear and crank.

#### Electric drive

With an electronic limit switch: Tubular AC motor 230 V, 50 Hz or 120 V, 60 Hz (according to the country) with electromechanical brakes and electronic end stop. Thermal protection, protection class IP54 (spray water), with 50–150 cm connection cable.

Remote control motor with an electronic limit switch: Tubular AC motor 230 V, 50 Hz or 120 V, 60 Hz (according to the country) with electromechanical brakes and electronic end stop. Integrated radio receiver, thermal protection, protection class IP54 (spray water), with 50–150 cm connection cable.

#### Cover/manufacture technology

Awning covers of polyester, acrylic etc. and various assembly technologies such as gluing, TENARA stitching etc. as per STOBAG collection (collection index).

## METHOD OF DELIVERY

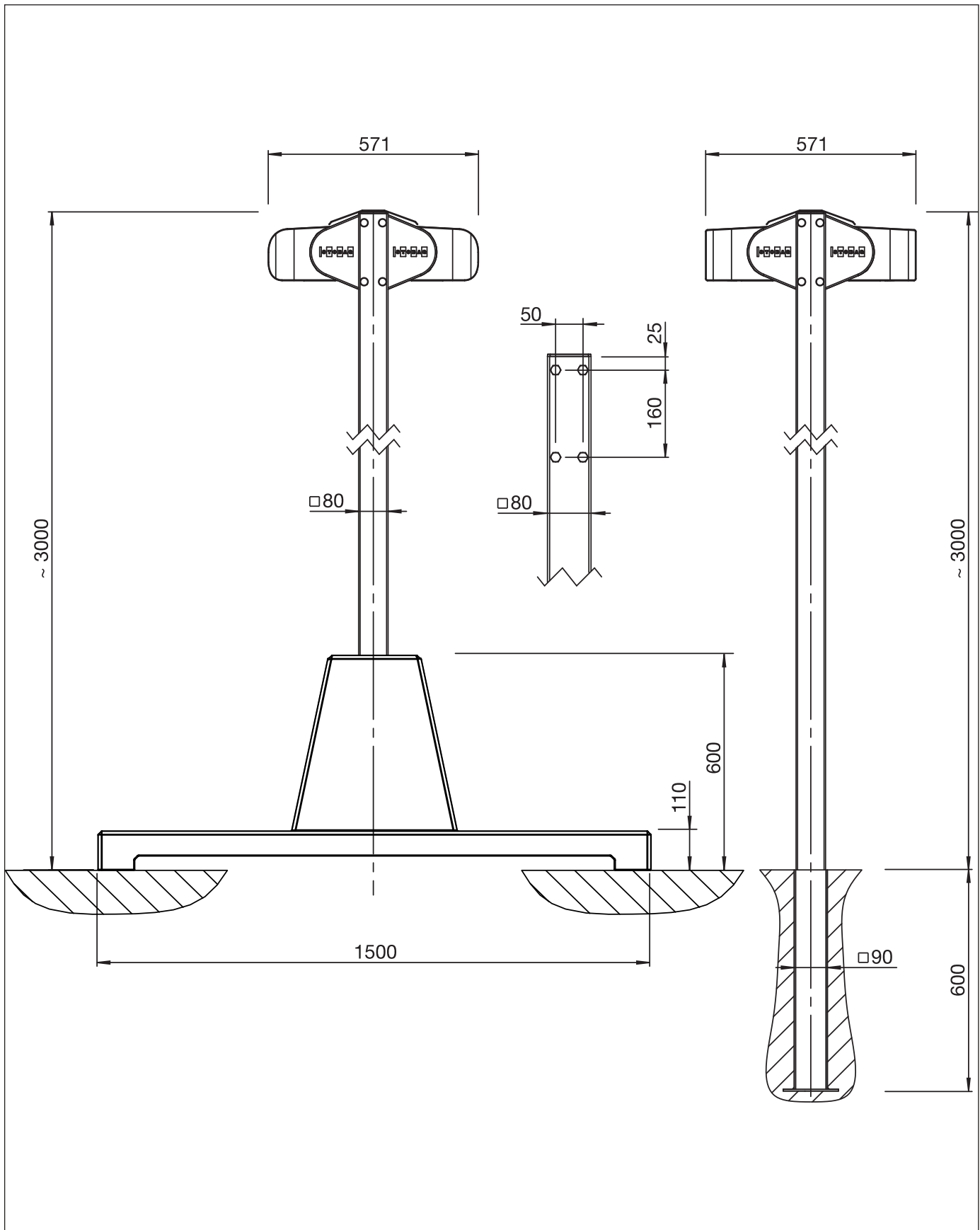
Awnings completely assembled, with cover (supports not mounted). Post set with concrete socket or floor sleeve will be delivered unattached.

# BOXMOBIL OS7000

Free-standing large area awning

OS7000

Version with concrete socket and floor sleeves

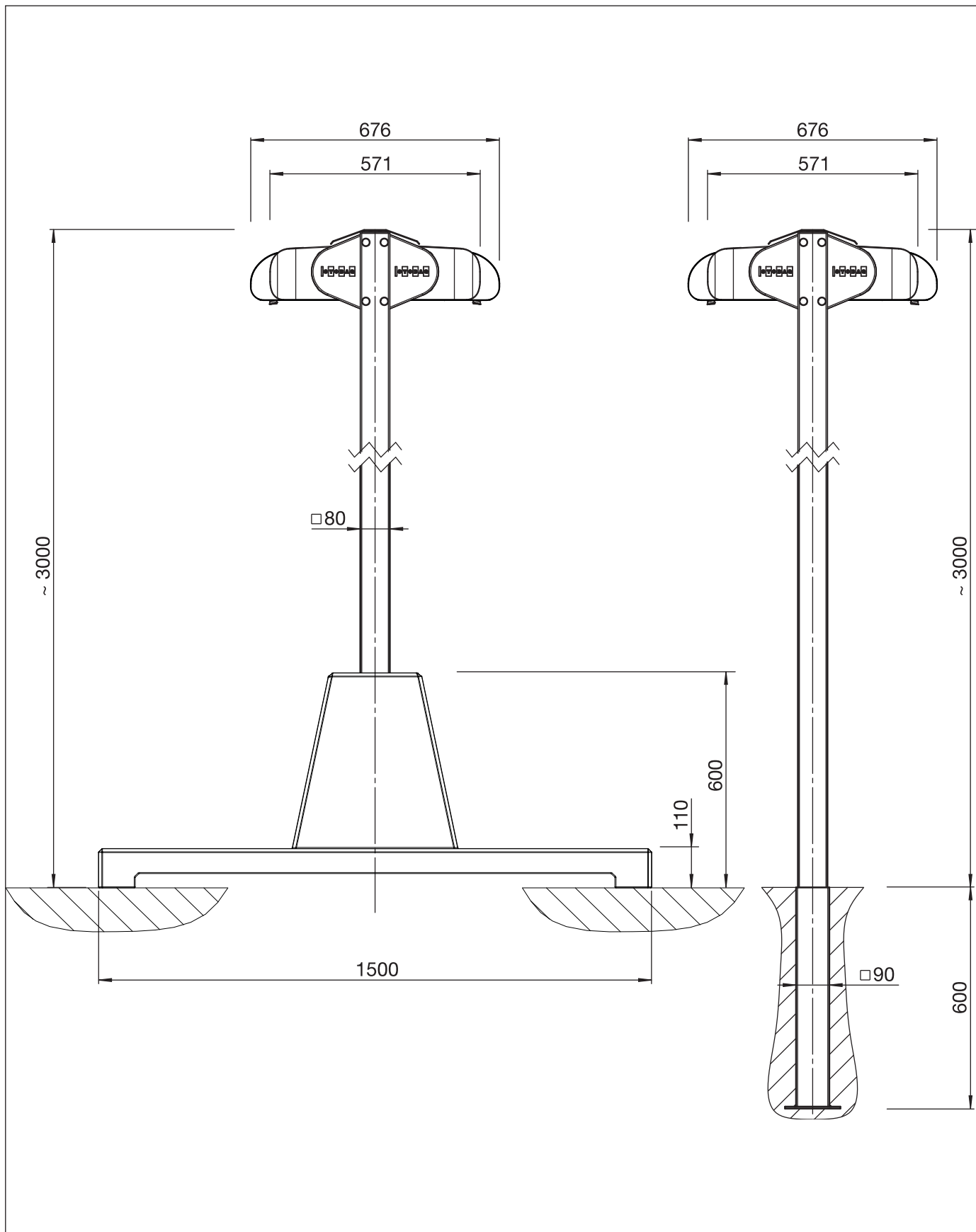


# BOXMOBIL OS7000

Free-standing large area awning

OS7000

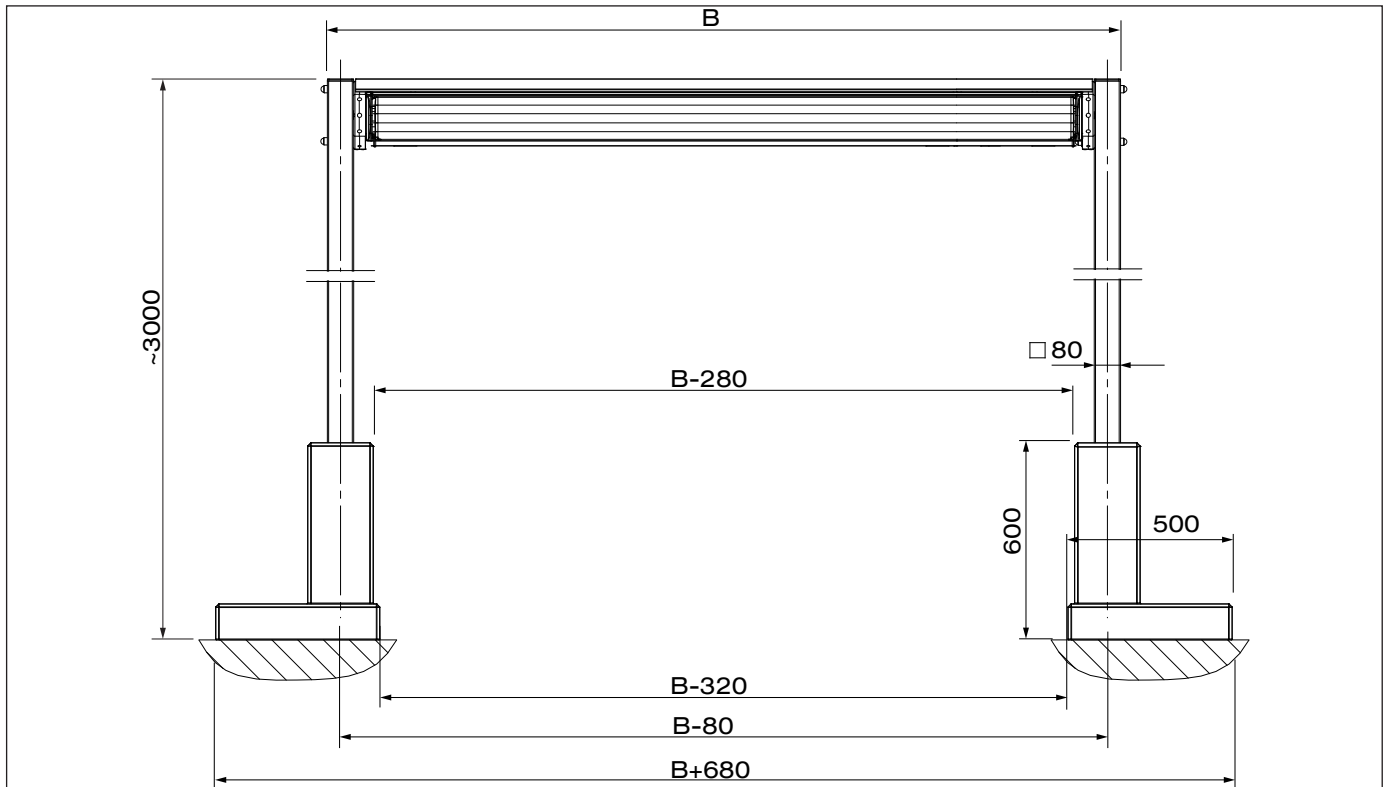
Version with VOLANT-PLUS



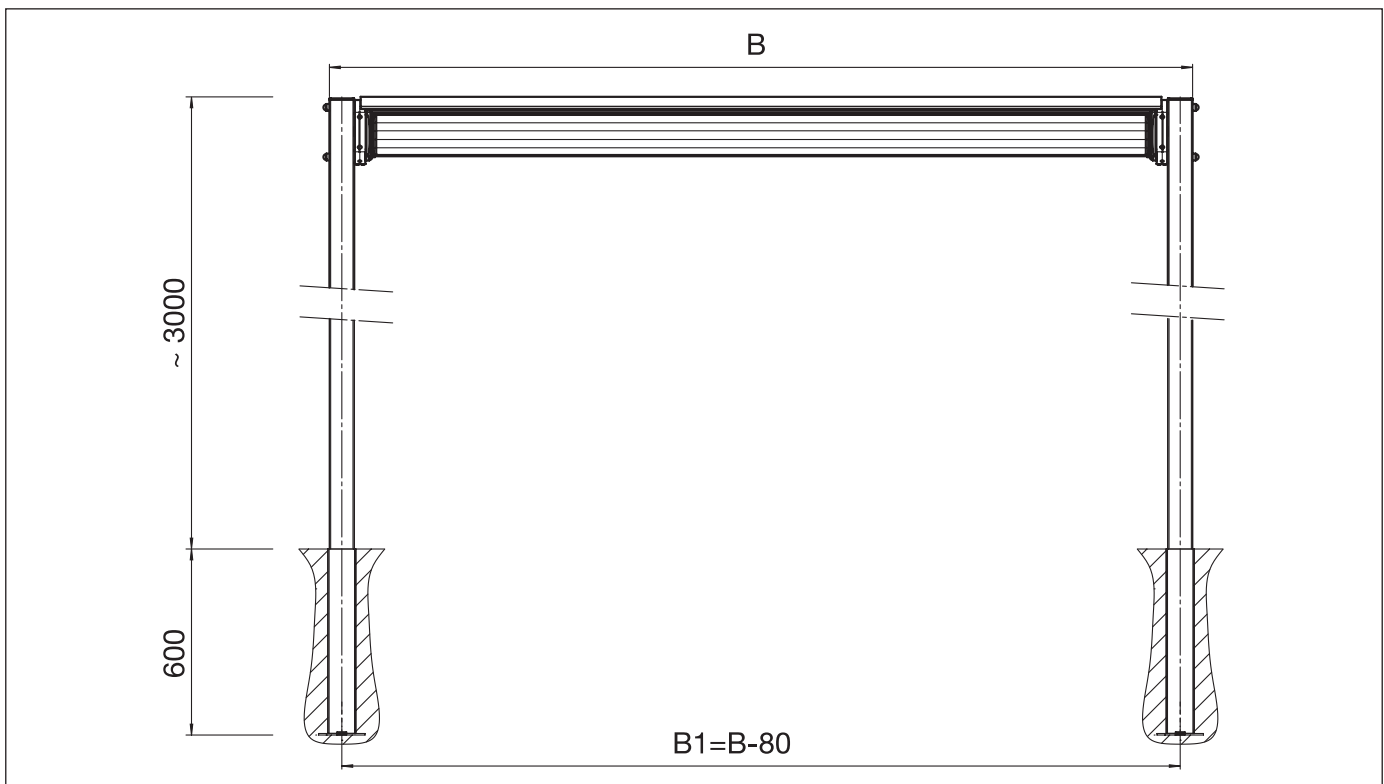
# BOXMOBIL OS7000

Free-standing large area awning

## Installation drawing with concrete socket



## Installation plan with floor sleeve



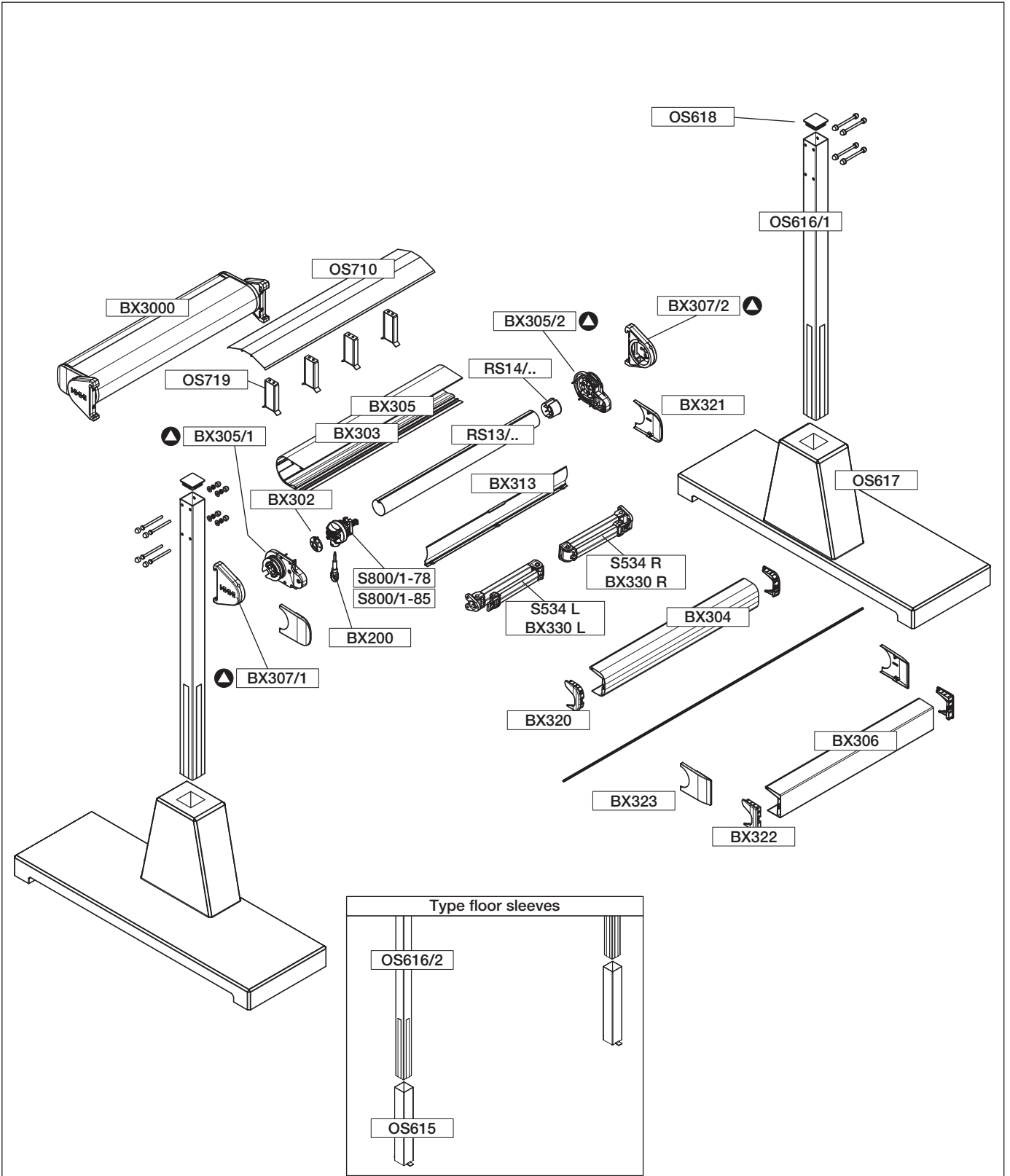
B = Total width

# BOXMOBIL OS7000

Free-standing large area awning

OS7000

Exploded view



Set:

▲ = BX3010

OS7000

# BOXMOBIL OS7000

## Free-standing large area awning

### OS7000

#### Arms, incl. front rail fixation

S534	150 cm	pc.
	200 cm	pc.
	250 cm	pc.
	300 cm	pc.
	350 cm	pc.

BX330	150 cm	pc.
	200 cm	pc.
	250 cm	pc.
	300 cm	pc.
	350 cm	pc.

BX330/1	350 cm	(VOLANT-PLUS)	pc.
---------	--------	---------------	-----

#### Bevel gear (left)

S800/1-78 with end stop	pc.
S800/1-85 with end stop	pc.

#### Bevel gear (right)

S800/2-78 with end stop	pc.
S800/285 with end stop	pc.

#### Crank set

BX200 to S800/-..	pc.
-------------------	-----

#### Adapter set TENDABOX

BX302 to S800/-..	pc.
-------------------	-----

#### Support

OS616/1 for concrete socket	80 x 80 x 2950 mm	pc.
OS616/2 for floor sleeve	80 x 80 x 3600 mm	pc.

#### Concrete socket

OS617	pc.
-------	-----

#### Floor sleeve

OS615	pc.
-------	-----

#### Screw kit

SS716/1/OS	exterior supports	pc.
SS716/2/OS	middle supports	pc.

#### End caps

OS618 black	pc.
-------------	-----

#### Cover sheet

OS710	650 cm	pc.
-------	--------	-----

#### Top board fixation

OS719	pc.
-------	-----

#### Box profile

BX303	400 cm	pc.
	450 cm	pc.
	500 cm	pc.

BX305	550 cm	pc.
	600 cm	pc.
	650 cm	pc.

#### Band brush

S510/1	grey	lm/Roll
S510/2	black	lm/Roll

#### Side cap cover kit round

BX321	pc.
-------	-----

#### Side cap cover kit square

BX323	pc.
-------	-----

#### Rounded front rail

BX304	400 cm	pc.
	450 cm	pc.
	500 cm	pc.
	550 cm	pc.
	600 cm	pc.
	650 cm	pc.

### Components list

#### Rounded end caps set

BX320 to BX304	pc.
----------------	-----

#### Square front rail

BX306	400 cm	pc.
	450 cm	pc.
	500 cm	pc.
	550 cm	pc.
	600 cm	pc.
	650 cm	pc.

#### Square end caps set

BX322 to BX306	pc.
----------------	-----

#### Valance profile

S551	6.00 m	pc.
profile		lm

#### Cover profiles

BX313	5.00 m	pc.
	6.50 m	pc.

#### Cover kit

BX3013 for BX313	pc.
------------------	-----

#### Tubular motors

Motor drive E / E STAS / STAK 3	pc.
Motor drive E radio / E radio STAS / STAK 4	

#### Roller tube galvanised

RS13/4 78 x 1.00	4.00 m	pc.
	4.50 m	pc.
	5.00 m	pc.
	5.50 m	pc.
	6.00 m	pc.
	7.00 m	pc.
RS13/7 85 x 1.00	6.00 m	pc.
	7.00 m	pc.

#### Roller tube gudgeon, round

RS14/4	78 mm	pc.
RS14/7	85 mm	pc.

#### Operating handles

S804	80 cm	pc.
	100 cm	pc.
	120 cm	pc.
	135 cm	pc.
	150 cm	pc.
	160 cm	pc.
	180 cm	pc.
	200 cm	pc.

#### Set

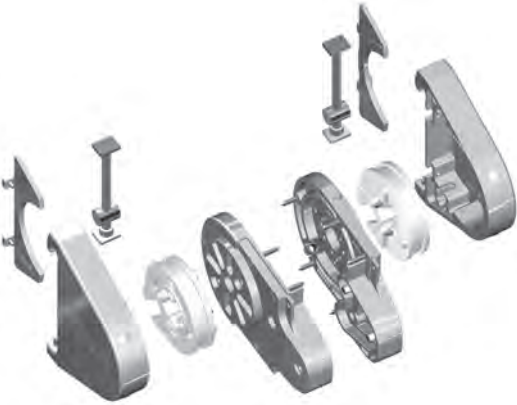
BX3010	consisting of:	pc.
--------	----------------	-----

- ▲ 1 rotary flange left BX307/1
- 1 rotary flange right BX307/2
- 2 rotary flange caps BX308
- 2 pivoting fork BX309
- 1 side cap left BX305/1
- 1 side cap right BX305/2
- 1 ball bearing
- 1 screw set

# BOXMOBIL OS7000

Free-standing large area awning

## BX3010



## Set for TENDABOX

Serves as a basic set for gear mechanisms and motor drives.

### MATERIAL

Aluminium alloy casting

Set of screws: stainless steel

### DELIVERY

1 rotary flange left	BX307/1
1 rotary flange right	BX307/2
2 rotary flange caps	BX308
2 pivoting fork	BX309
1 side cap left	BX305/1
1 side cap right	BX305/2
1 ball bearing	
1 screw set	

### PACKAGING UNIT

Set

## S800/1-78 S800/1-85



## Bevel gear (left) with end stop

These bevel gears have a considerably better mechanical efficiency than a worm gearbox. They can therefore be used with smaller reduction. For the retraction of the awning, lesser turns are necessary.

### ENGINEERING DATA

S801/1-78: for  $\varnothing$  78 roller tube  
S801/1-85: for  $\varnothing$  85 roller tube

S800: with end stop  
Reduction: 4.6:1  
Use: up to max. 350cm projection with 2 arms,  
up to 20m<sup>2</sup>

### MATERIAL

Aluminium alloy casting

Set of screws: stainless steel

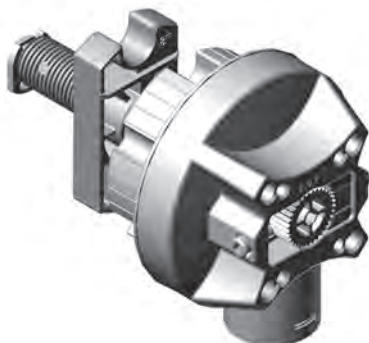
### PACKAGING UNIT

Piece

# BOXMOBIL OS7000

Free-standing large area awning

S800/2-78 S800/2-85



## Bevel gear (right) with free end stop

These bevel gears have a considerably better mechanical efficiency than a worm gearbox. They can therefore be used with smaller reduction. For the retraction of the awning, lesser turns are necessary.

### ENGINEERING DATA

S801/2-78:	for $\varnothing$ 78 roller tube
S801/2-85:	for $\varnothing$ 85 roller tube
S800:	with end stop
Reduction:	4.6:1
Use:	up to max. 350cm projection with 2 arms, up to 20m <sup>2</sup>

### MATERIAL

Aluminium alloy casting	
Set of screws:	stainless steel

### PACKAGING UNIT

Piece

BX200



## Crank set

Suitable for bevel gears S800/1-... and S800/2-...

### MATERIAL

Operating handle ring:	plastic
------------------------	---------

### PACKAGING UNIT

Set

BX302



## Adapter set TENDABOX

Suitable for bevel gears S800/1-... and S800/2-...

### MATERIAL

Aluminium alloy casting	
Set of screws:	stainless steel

### PACKAGING UNIT

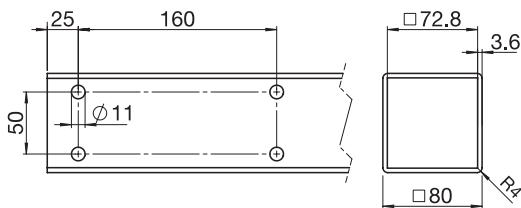
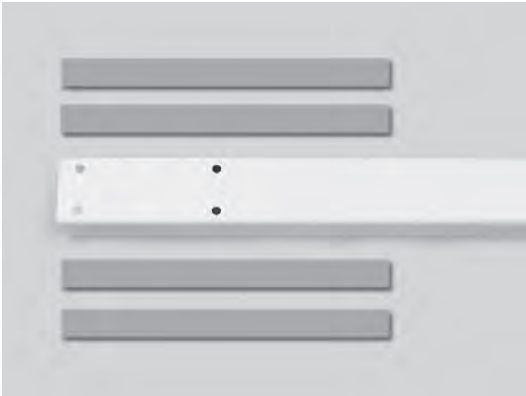
Set



# BOXMOBIL OS7000

Free-standing large area awning

## OS616/1



## Support

Support for floor sleeve OS617.

The four PVC strips give the post the necessary grip in the floor sleeve.

### MATERIAL

Support: steel, galvanised RHS square hollow profile

### DELIVERY

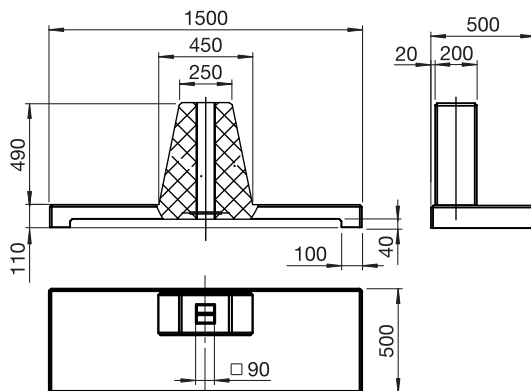
1 steel support (80 x 80 x 2950 mm)

4 PVC strips (500 x 30 x 1)

### PACKAGING UNIT

Piece

## OS617



## Concrete socket

Concrete socket with cast in square steel bush for the steel support OS616/1

### MATERIAL

Concrete socket (ca. 186 kg)

fairfaced concrete

Steel bush, square

galvanised

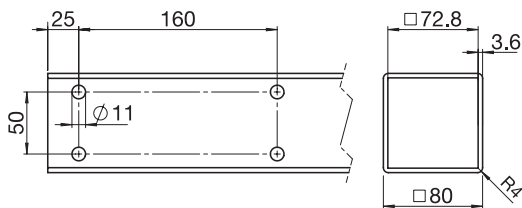
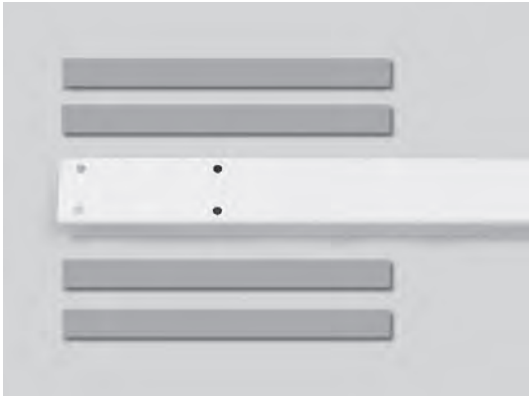
### PACKAGING UNIT

Piece

# BOXMOBIL OS7000

Free-standing large area awning

## OS616/2



## Support

Support for floor sleeve OS615.  
The four PVC strips give the post the necessary grip in the floor sleeve.

### MATERIAL

Support: steel, galvanised RHS square hollow profile

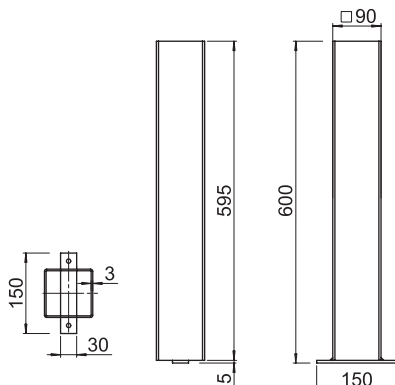
### DELIVERY

1 steel support (80 x 80 x 3600 mm)  
4 PVC strips (500 x 30 x 1)

### PACKAGING UNIT

Piece

## OS615



## Floor sleeve

Floor sleeve to be set in concrete, for steel support OS616/2

### MATERIAL

Floor sleeve: steel, hot dipped

### PACKAGING UNIT

Piece

# BOXMOBIL OS7000

Free-standing large area awning

## SS716/1/OS



## Screw set

This standard screw set is used for the construction of a BOXMOBIL OS7000 and for the supports OS616/1 and OS616/2.

### MATERIAL

Screws, nuts, washers: stainless steel  
End caps: Plastic

### DELIVERY

8 screws M10 x 130 mm incl. nuts and washers  
8 cover caps, white  
4 screws M8 x 25 mm  
2 end caps (in black only) OS618

### PACKAGING UNIT

Set

## SS716/2/OS



## Screw set

This additional screw set is used for the construction of two consecutive BOXMOBILs OS7000 and connects the middle support with the right and left BOXMOBIL OS7000.

Screw set fits the supports OS 616/1 and OS616/2

### MATERIAL

Screws, nuts, washers: stainless steel  
End caps: plastic

### DELIVERY

4 screws M10 x 180 mm incl. nuts and washers  
2 screws M8 x 25 mm  
1 end cap (in black only) OS618

### PACKAGING UNIT

Set

## OS618



## End cap

End cap for supports OS616/1 and OS616/2

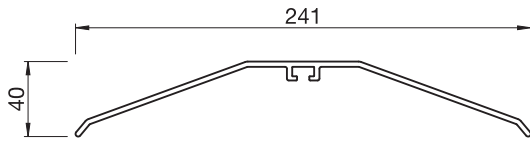
### MATERIAL

Plastic (80 x 80 x 5 mm)

# BOXMOBIL OS7000

Free-standing large area awning

## OS710



## Cover sheet

Cover sheet to protect against the rain. To be screwed in between the two BOXMOBIL awnings.

### ENGINEERING DATA

Standard lengths: 650 cm

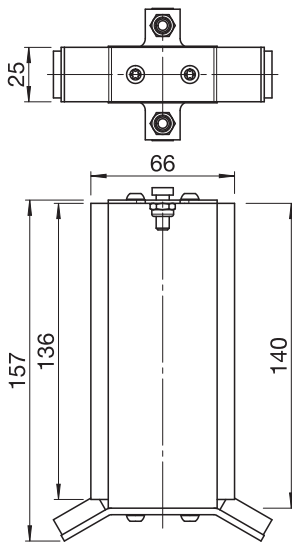
### MATERIAL

Aluminium

### PACKAGING UNIT

Piece

## OS719



## Top board fixation

Top board fixation for cover sheet OS710.

### MATERIAL

Extruded aluminium profiles

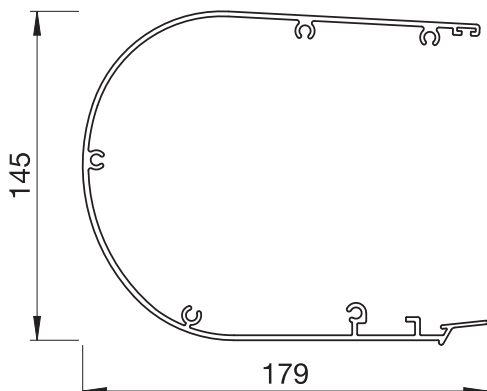
### PACKAGING UNIT

Piece

# BOXMOBIL OS7000

Free-standing large area awning

## BX303



## Box profile

The box has a slot to take the band brush.  
**The band brush is not included in the delivery package.**

### ENGINEERING DATA

Standard lengths: 400, 450, 500 cm

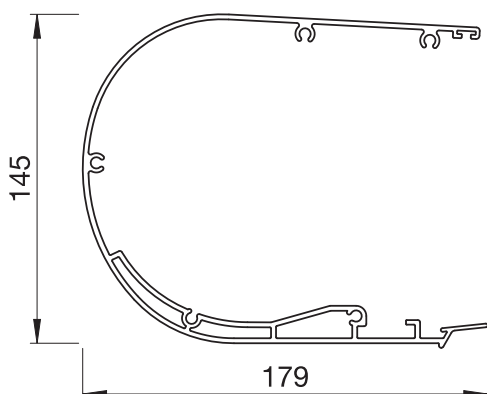
### MATERIAL

Extruded aluminium profiles

### PACKAGING UNIT

Piece

## BX305



## Box profile

The box has a slot to take the band brush.  
**The band brush is not included in the delivery package.**

### ENGINEERING DATA

Standard lengths: 550, 600, 650 cm

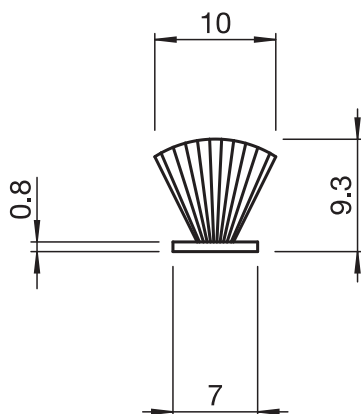
### MATERIAL

Extruded aluminium profiles

### PACKAGING UNIT

Piece

## S510/.



## Band brush

Band brush for the box BX303, BX305.

### ENGINEERING DATA

Size: S510/1 = grey  
S510/2 = black

### MATERIAL

Brush: plastic

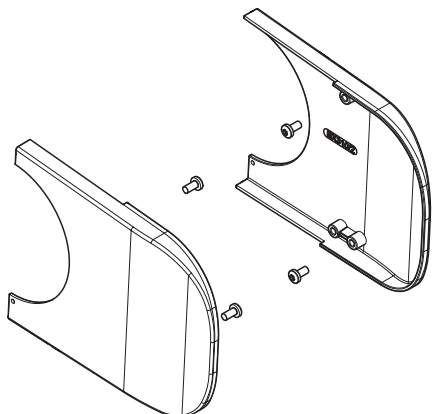
### PACKAGING UNIT

Rolls or linear meter

# BOXMOBIL OS7000

Free-standing large area awning

## BX321



## Side cap cover kit (round)

Lateral rounded cover suitable for the side cap.

### MATERIAL

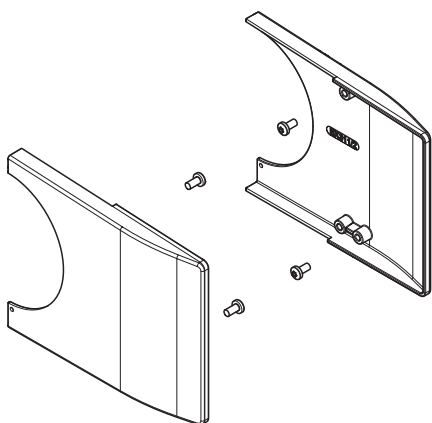
Alu compression cast alloy:

Set of screws: stainless steel

### PACKAGING UNIT

Set

## BX323



## Side cap cover kit (square)

Lateral squared cover suitable for the side cap.

### MATERIAL

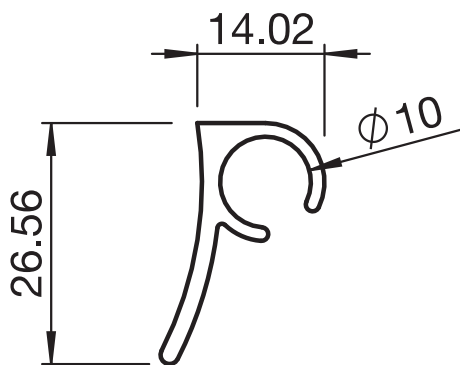
Alu compression cast alloy:

Set of screws: stainless steel

### PACKAGING UNIT

Set

## S551



## Valance profile

The valance profile is riveted to the front rail. The installation position must be observed according to the incline.

### MATERIAL

Extruded aluminium profiles

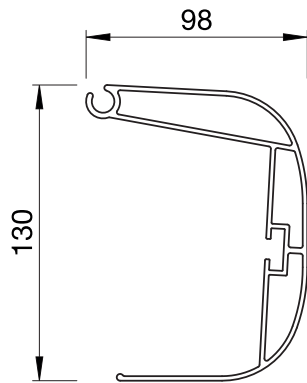
### PACKAGING UNIT

Piece

# BOXMOBIL OS7000

## Free-standing large area awning

### BX304



### Rounded front rail

Front rail for BX303 / BX305 box profile.

#### ENGINEERING DATA

Standard lengths: 400, 450, 500, 550, 600, 650 cm

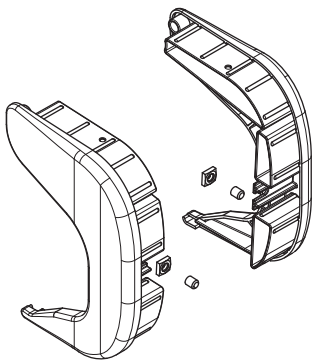
#### MATERIAL

Extruded aluminium profiles

#### PACKAGING UNIT

Piece

### BX320



### End caps

Lateral end caps for front rail BX304.

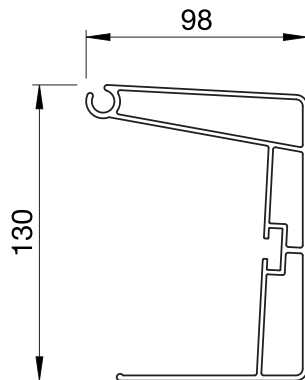
#### MATERIAL

Plastic:  
Set of screws: stainless steel

#### PACKAGING UNIT

Set

### BX306



### Square front rail

Front rail for BX303 / BX305 box profile.

#### ENGINEERING DATA

Standard lengths: 500, 650 cm

#### MATERIAL

Extruded aluminium profiles

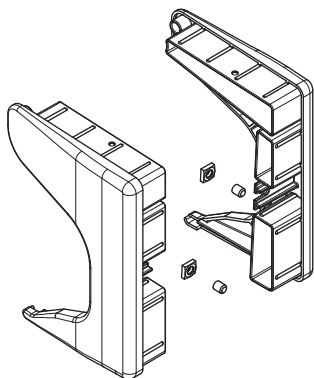
#### PACKAGING UNIT

Piece

# BOXMOBIL OS7000

Free-standing large area awning

## BX322



## End caps

Lateral end caps for front rail BX306.

### MATERIAL

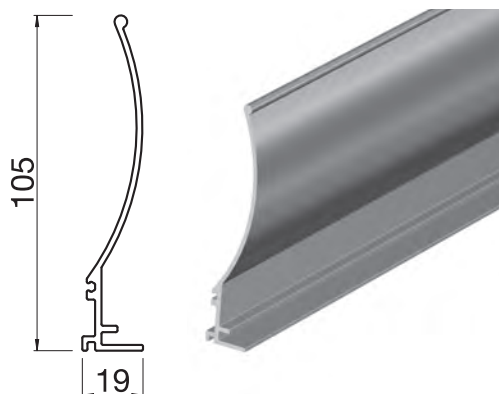
Plastic:

Set of screws: stainless steel

### PACKAGING UNIT

Set

## BX313



## Cover profiles

The cover profile is used as visual protection for the roller shaft and it is fastened to the box profile.

### ENGINEERING DATA

Standard lengths: 500, 650 cm

### MATERIAL

Extruded aluminium profiles

### PACKAGING UNIT

Piece

## BX3013



## Cover kit

The cover kit is necessary in connection with the cover profile BX313.

### DELIVERY

3 slip protection

3 romben nut

3 ISK screws

### MATERIAL

Plastic:

Set of screws: stainless steel

### PACKAGING UNIT

Set



# BOXMOBIL OS7000

Free-standing large area awning

S534

Folding arms



Folding arms for 350 cm projection and until 612 total width. The middle joint has a negative break.

## ENGINEERING DATA

Folding arm with integrated tension spring and stainless steel cable arm projection measured from the wall to the leading edge drop profile.

Profile sizes: 50 x 30 mm, 65 x 40 mm  
Standard lengths: 150, 200, 250, 300, 350 cm



Length of arms in cm	150	200	250	300	350
K in cm	3	6	9	11	14

## MATERIAL

Arm profiles: extruded aluminium profiles  
Joints: aluminium alloy casting  
Double cables: stainless steel cables with sleeves

## PACKAGING UNIT

Pair or palett of 25 pairs

# BOXMOBIL OS7000

Free-standing large area awning

BX330 ..

## Folding arms

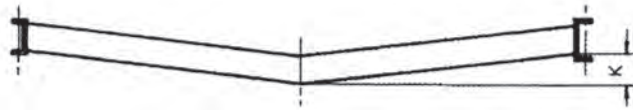


Folding arms until 350 cm projection and from 612 cm total width. The folding parts are dropforged for higher stability.

### ENGINEERING DATA

Folding arm with integrated tension spring and stainless steel cable arm projection measured from the wall to the leading edge drop profile.

Profile sizes: 62 x 34 mm, 80 x 48 mm  
Standard lengths: 150, 200, 250, 300, 350 cm



Length of arms in cm	150	200	250	300	350
K in cm	3	6	9	11	14

### MATERIAL

Arm profiles: Extruded aluminium profiles  
Joints: Aluminium dropforged  
Cables: Stainless steel cable with protection sleeves

### PACKAGING UNIT

Pair

# BOXMOBIL OS7000

Free-standing large area awning

**BX330/1**

**Folding arms (VOLANT-PLUS)**



Folding arms until 350 cm projection and from 512 cm total width. The folding parts are dropforged for higher stability.

**Use only in combination with VOLANT PLUS.**

## ENGINEERING DATA

Folding arm with integrated tension spring and stainless steel cable arm projection measured from the wall to the leading edge drop profile.

Profile sizes: 62 x 34 mm, 80 x 48 mm  
Standard lengths: 350 cm



Length of arms in cm 350  
K in cm 15

## MATERIAL

Arm profiles: Extruded aluminium profiles  
Joints: Aluminium dropforged  
Cables: Stainless steel cable with protection sleeves

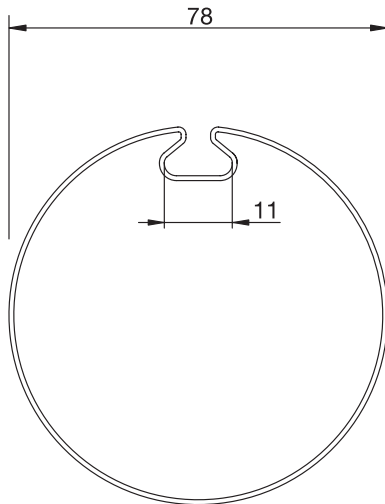
## PACKAGING UNIT

Pair

# BOXMOBIL OS7000

Free-standing large area awning

## RS13/4



## Galvanized roller tube 78 mm

Galvanized roller tube 78 mm with flat groove is suitable for all STOBAG awnings.

### ENGINEERING DATA

RS13/4  
Standard lengths:  $\varnothing$  78 x 1.00 mm galvanized  
400, 450, 500, 550, 600, 700 cm

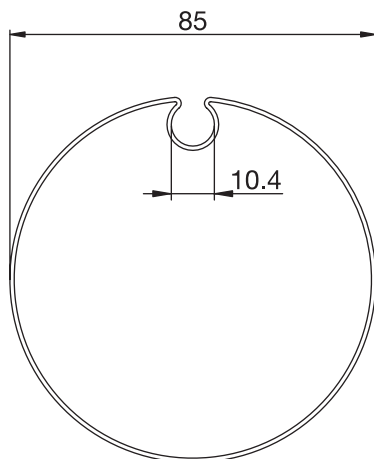
### MATERIAL

Steel sheet galvanized

### PACKAGING UNIT

Piece

## RS13/7



## Galvanized roller tube 85 mm

Galvanized roller tube 85 mm.  
Used for total width of 551 cm to 650 cm.

### ENGINEERING DATA

RS13/7  
Standard lengths:  $\varnothing$  85 x 1.00 mm galvanised  
600, 700 cm

### MATERIAL

Steel profile galvanised

### PACKAGING UNIT

Piece

## RS14/..



## Roller tube gudgeon (plastic without board)

Bearing pin standard without edge, suitable for roller shaft RS13/..

### ENGINEERING DATA

RS14/4 for 78er Galvanized roller  
RS14/7 for 85er Galvanized roller

### MATERIAL

Roller tube gudgeon: Plastic

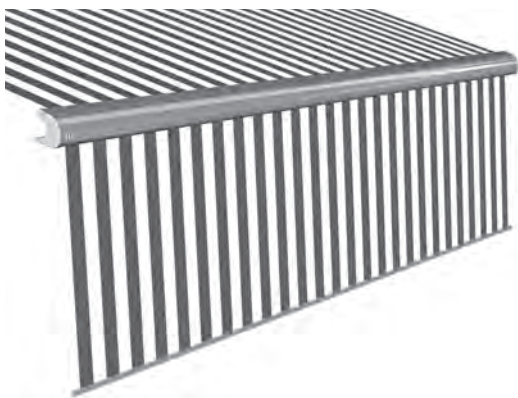
### PACKAGING UNIT

Piece

# BOXMOBIL OS7000

Free-standing large area awning

## VOLANT-PLUS



## Description

VOLANT PLUS is a drop profile with integrated roller shaft, fabric and declining profile. The cover can be lowered with a gear and crank.



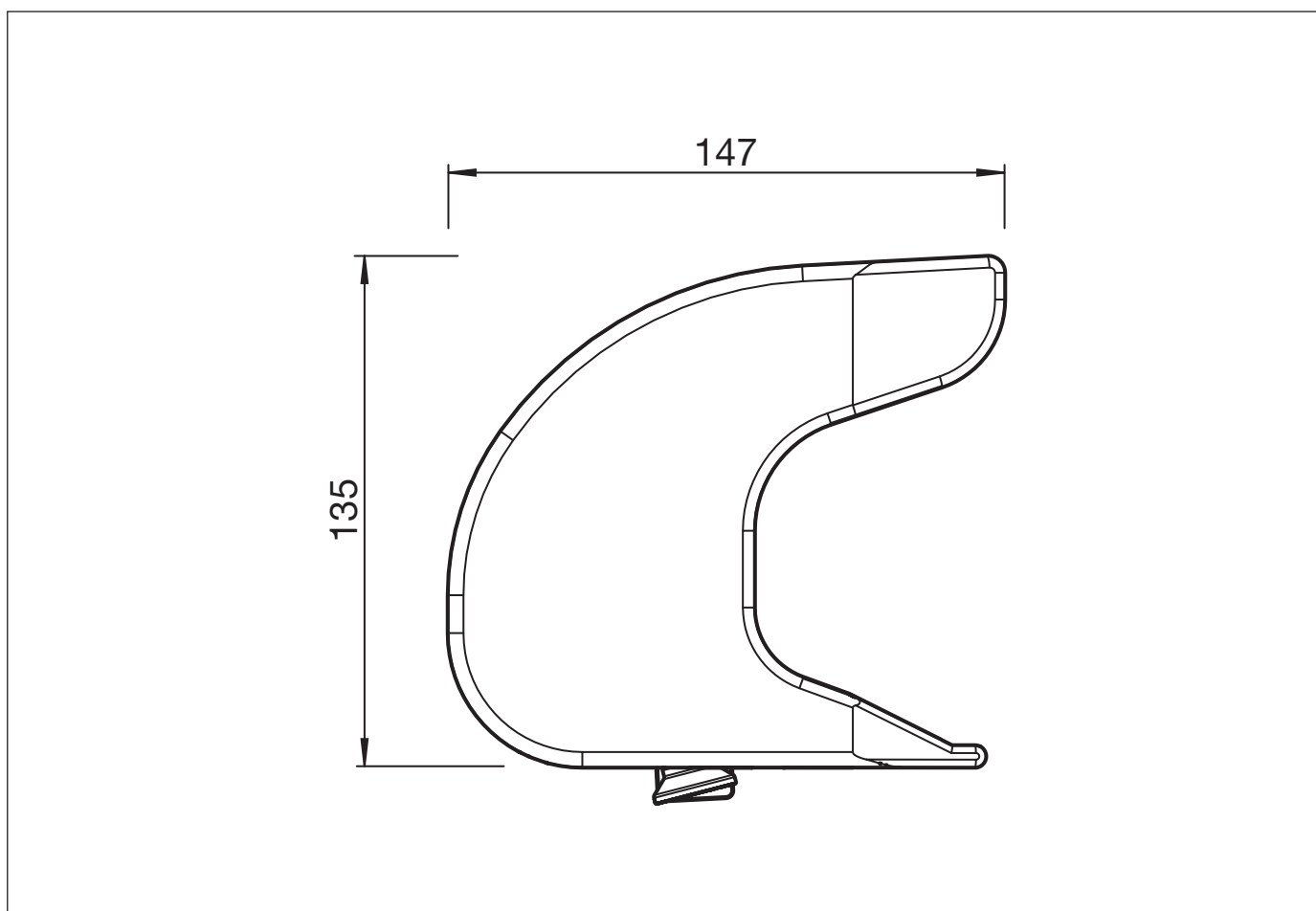
max. 650 cm

\* max. 170 cm

- \* 120 cm Acryl
- \* 170 cm Soltis

## VOLANT-PLUS

## Dimensioning

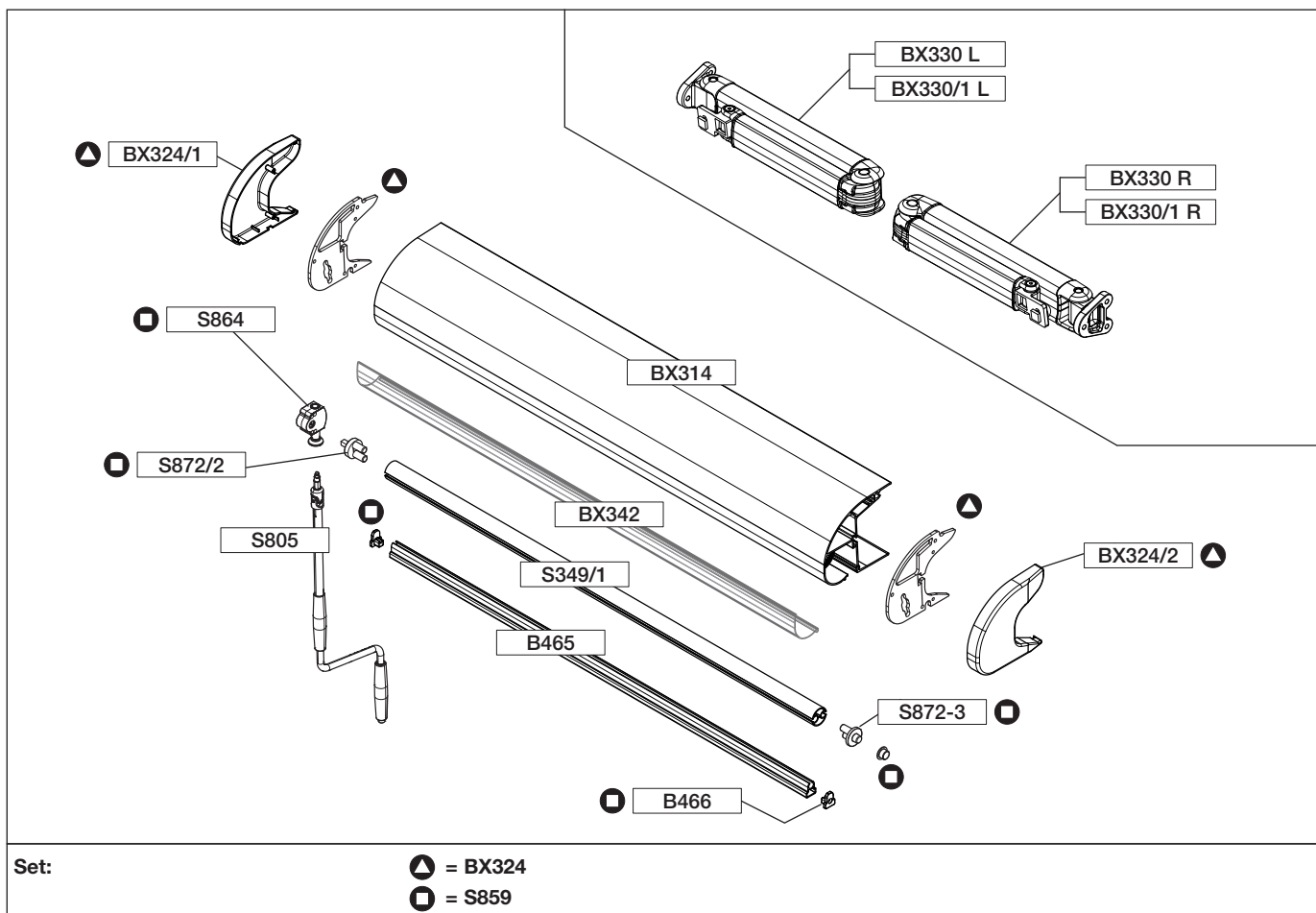


# BOXMOBIL OS7000

Free-standing large area awning

## VOLANT-PLUS

## Exploded view



## VOLANT-PLUS

### Arme für VOLANT-PLUS

BX330	150 cm	pair	
	200 cm	pair	
	250 cm	pair	
	300 cm	pair	
BX330/1	350 cm	pair	
<b>AV-Front rail</b>	BX314	500 cm	pc.
		650 cm	pc.
<b>Sliding bowl</b>	BX342 to BX314	350 cm	pc.
<b>Front rail</b>	B465	600 cm	pc.
		700 cm	pc.
<b>AV-Roller tube</b>	S349/1	400 cm	pc.
		500 cm	pc.
		600 cm	pc.
		700 cm	pc.

## Components list

### AV-End cap fitting

BX324	consisting of:	pc.
▲	1 End cap left BX324/1	
	1 End cap right BX324/2	
	2 Drop profile plates	
	1 Set of screws	

### AV-Set

S859	consisting of:	pc.
○	1 AV-gearbox S864	
	1 Journal pin short S872-3	
	1 Roller tube gudgeon square S872/2	
	2 Front rail covers B466	
	1 Set of screws	

### Connecting rod pluggable

S805	88 cm	pc.
------	-------	-----

# BOXMOBIL OS7000

Free-standing large area awning

## BX324



## AV-End cap fitting

AV-End cap fitting for VOLANT-PLUS.

### DELIVERY

1 End cap left	BX324/1
1 End cap right	BX324/2
2 Drop profile plates	
1 Set of screws	

### MATERIAL

End cap:	Plastic
Drop profile plate:	Aluminium sheet
Screws:	Stainless steel

### PACKAGING UNIT

Set

## S859



## AV-Set

AV-Set for VOLANT-PLUS.

### DELIVERY

1 AV-gearbox	S864
1 Journal pin short kurz	S872-3
1 Roller tube gudgeon square	S872/2
2 Front rail covers	B466
1 Set of screws	

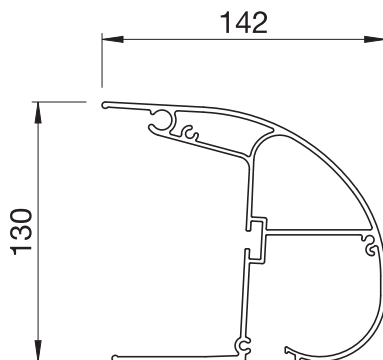
### MATERIAL

Gearbox, Journal pin, Front rail cover:	Aluminium alloy casting
Screws:	Stainless steel

### PACKAGING UNIT

Set

## BX314



## AV-Front rail

Drop profile to TENDABOX awning with chamber for holding drop valances.

**Only available in combination with the drop valance.**

### ENGINEERING DATA

Standard lengths:	500, 650 cm
-------------------	-------------

### MATERIAL

Extruded aluminium profiles

### PACKAGING UNIT

Piece

# BOXMOBIL OS7000

Free-standing large area awning

## BX342



## Sliding bowl

The sliding bowl is necessary for use with front rail BX314.

### ENGINEERING DATA

Standard lengths: 350 cm

### MATERIAL

Plastic

### PACKAGING UNIT

Set

## B465



## Front rail

Valance declining profile suitable for drop valance, with rivets for awning fabric support.

### ENGINEERING DATA

Standard lengths: 600, 700 cm

### MATERIAL

Front rail: Extruded aluminium profiles

### PACKAGING UNIT

Piece

## S349/1



## Galvanized roller

Roller shaft suitable for drop valance, with rivets for fabric support.

### ENGINEERING DATA

Standard lengths: 400, 500, 600, 700 cm

### MATERIAL

AV-Galvanized roller Extruded aluminium profiles

### PACKAGING UNIT

Piece



# BOXMOBIL OS7000

Free-standing large area awning

**BX330**

**Folding arms**

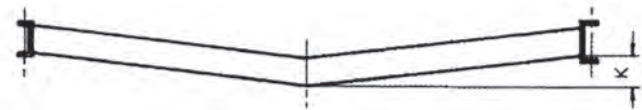


Folding arms until 350 cm projection and from 612 cm total width. The folding parts are dropforged for higher stability.

## ENGINEERING DATA

Folding arm with integrated tension spring and stainless steel cable arm projection measured from the wall to the leading edge drop profile.

Profile sizes: 62 x 34 mm, 80 x 48 mm  
Standard lengths: 150, 200, 250, 300, 350 cm



Length of arms in cm	150	200	250	300	350
K in cm	3	6	9	11	14

## MATERIAL

Arm profiles: Extruded aluminium profiles  
Joints: Aluminium dropforged  
Cables: Stainless steel cable with protection sleeves

## PACKAGING UNIT

Pair

# BOXMOBIL OS7000

Free-standing large area awning

BX330/1

Folding arms (VOLANT-PLUS)



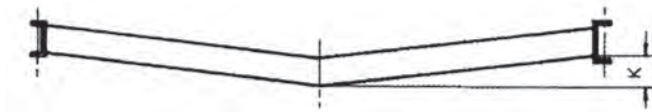
Folding arms until 350 cm projection and from 512 cm total width. The folding parts are dropforged for higher stability.

**Use only in combination with VOLANT PLUS.**

## ENGINEERING DATA

Folding arm with integrated tension spring and stainless steel cable arm projection measured from the wall to the leading edge drop profile.

Profile sizes: 62 x 34 mm, 80 x 48 mm  
Standard lengths: 350 cm



Length of arms in cm 350  
K in cm 15

## MATERIAL

Arm profiles: Extruded aluminium profiles  
Joints: Aluminium dropforged  
Cables: Stainless steel cable with protection sleeves

## PACKAGING UNIT

Pair