

S T O B A G

CASABOX

Slim box awning in
an elegant design.



CASABOX BX2000





Square design




Round design

- Sealed box protects from the elements
- Various mounting options to the wall, below the ceiling or to the frames
- Simple and proven installation system for hanging
- Awning incline adjustable to 90° depending on installation
- Choice of square or round drop profile
- Optional cover profile for fittings
- Optional wall joint profile prevents rain water entering between façade and awning

 min. 188 cm
max. 550 cm*

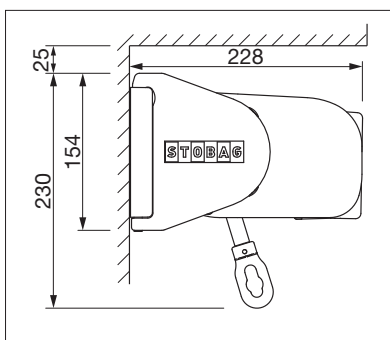
 min. 160 cm
max. 300 cm*

*max. 500 cm wide × 300 cm projection
*max. 550 cm wide × 250 cm projection

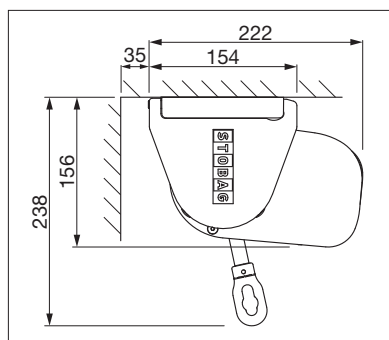
 CLASS 2
The wind resistance class can vary depending on version and dimension.



Technical dimensions in millimetres



Wall installation, square design



Top installation, round design



REGISTRATION
REQUIRED



COLORS

Discover the diverse options when selecting frame colours.



FABRICS

Choose from a comprehensive range of materials and colours.



ELECTRICS

More convenience thanks to the automated control and lighting systems.

More information at www.stobag.com