

RESOBOX BX8000

Box awning

BX8000



	min. 200 cm max. 1800 cm		min. 150 cm max. 400 cm
--	-----------------------------	--	----------------------------

	0° – 40° Wall fixing 0° – 40° Top fixing
--	---

Minimal width for a given projection

Projection	minimal width		
	2 Arms	3 Arms	4 Arms
150 cm	201 cm	---	676 cm
200 cm	251 cm	---	676 cm
250 cm	301 cm	---	676 cm
300 cm	351 cm	---	676 cm
350 cm	401 cm	676 cm	801 cm
400 cm	451 cm	676 cm	876 cm

Description

Large area box awning with electric motor drive. Awning is extended and retracted via tubular motor. Fitted with awning cover. Galvanized steel fabric roller shaft with groove for accepting cover. Box: Aluminium extruded profile. One-piece U-shaped protective cover as structural support. Grooves on lower and upper end of profile for band brushes. Front profile without valance fitting. Aluminium cast alloy side cover as box end designed to house fabric roller tube fixture. Easy to install on box holder hinge. Infinitely variable drop (0 – 40°) can be set on awning via adjusting screw. The elegantly shaped front profile perfectly matches box profile. Front profile of extruded aluminium chamber profile with receiver grooves for tensioning and fixing folding arms. Folding arms made of aluminium extruded profiles with precision links of aluminium cast alloy for up to 300 cm arm length, 350 cm and 400 cm arm lengths made of aluminium drop-forged joints. Integrated gas spring and stainless steel cable. Cable protector on middle joint. The appropriate box holder enables both wall and top fix installation. Side caps made of aluminium cast alloy. Retracted front profile closes box. Installation bracket profile made of aluminium extruded section for single or multiple systems with matching bracket covers. A patented technology means awning can be joined up to 18 metres wide using box supports.

Optional:

- Valance section consisting of aluminium extruded section with groove for valance fitting for direct installation on front profile.
- Drop-down valance up to a maximum height of 170 cm. Total width up to 1400 cm, from 700 cm consisting of two fabric covers and two drives (left and right). Operated manually by drives.
- Cover profile screens fabric roller tube.

A motorised RESOBOX BX8000 folding arm awning has a maximum noise pollution level of on or under 70 dB(A).

METHOD OF DELIVERY

Awning fully assembled with cover.
Awnings over 900 cm wide are braced with coupling profile.

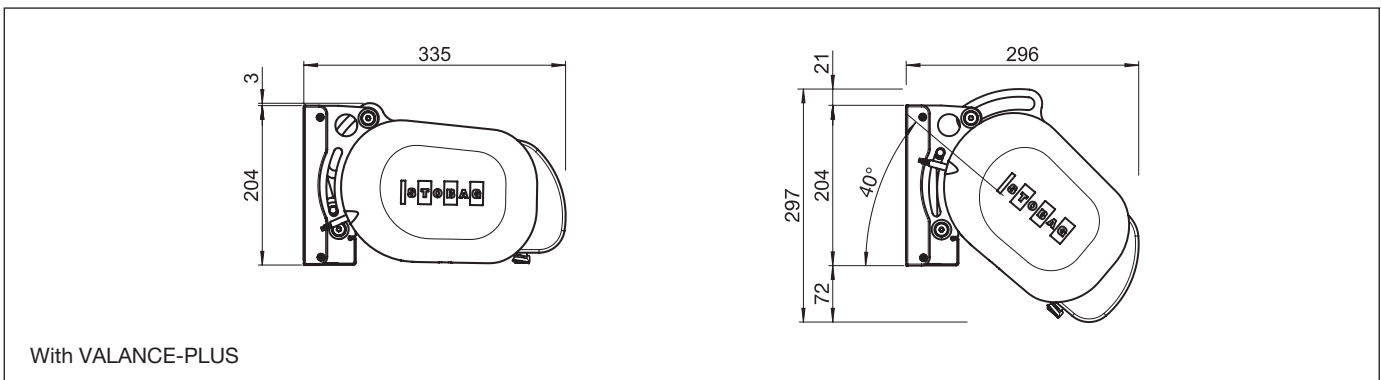
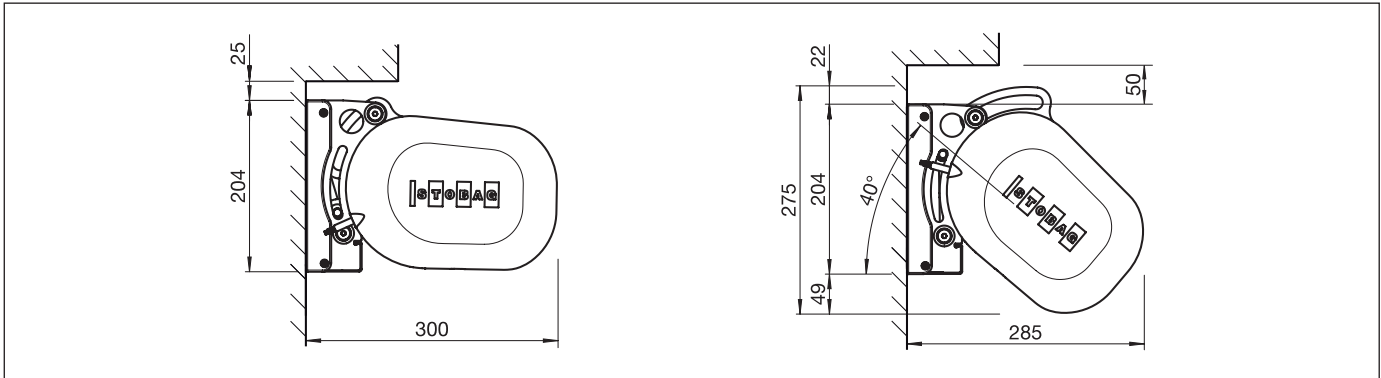


RESOBOX BX8000

Box awning

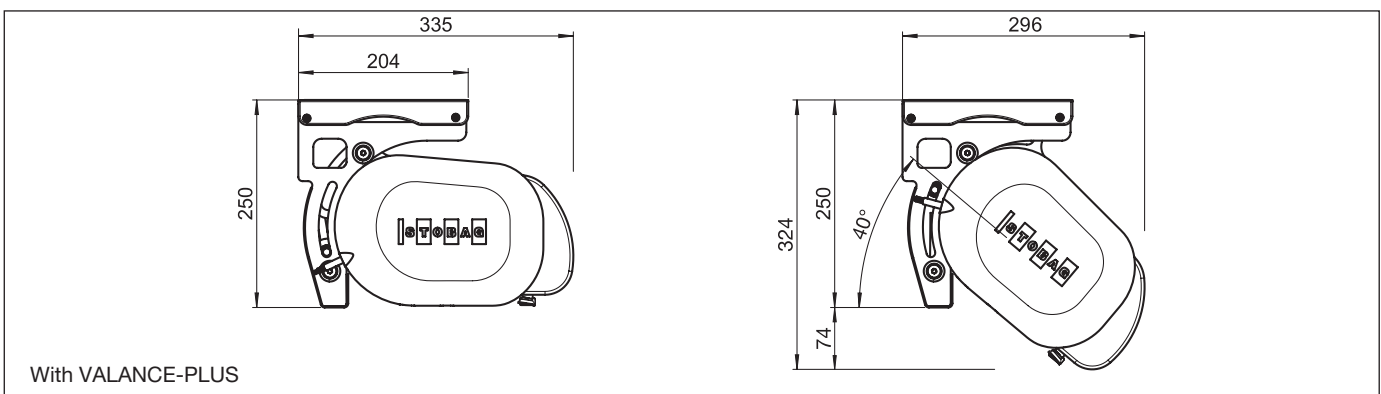
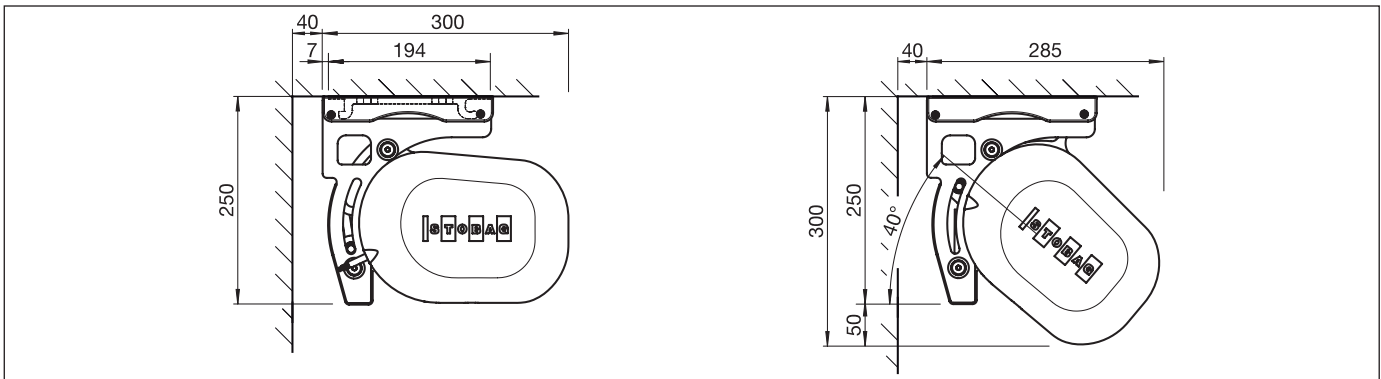
BX8000

Wall fixing



BX8000

Top fixing

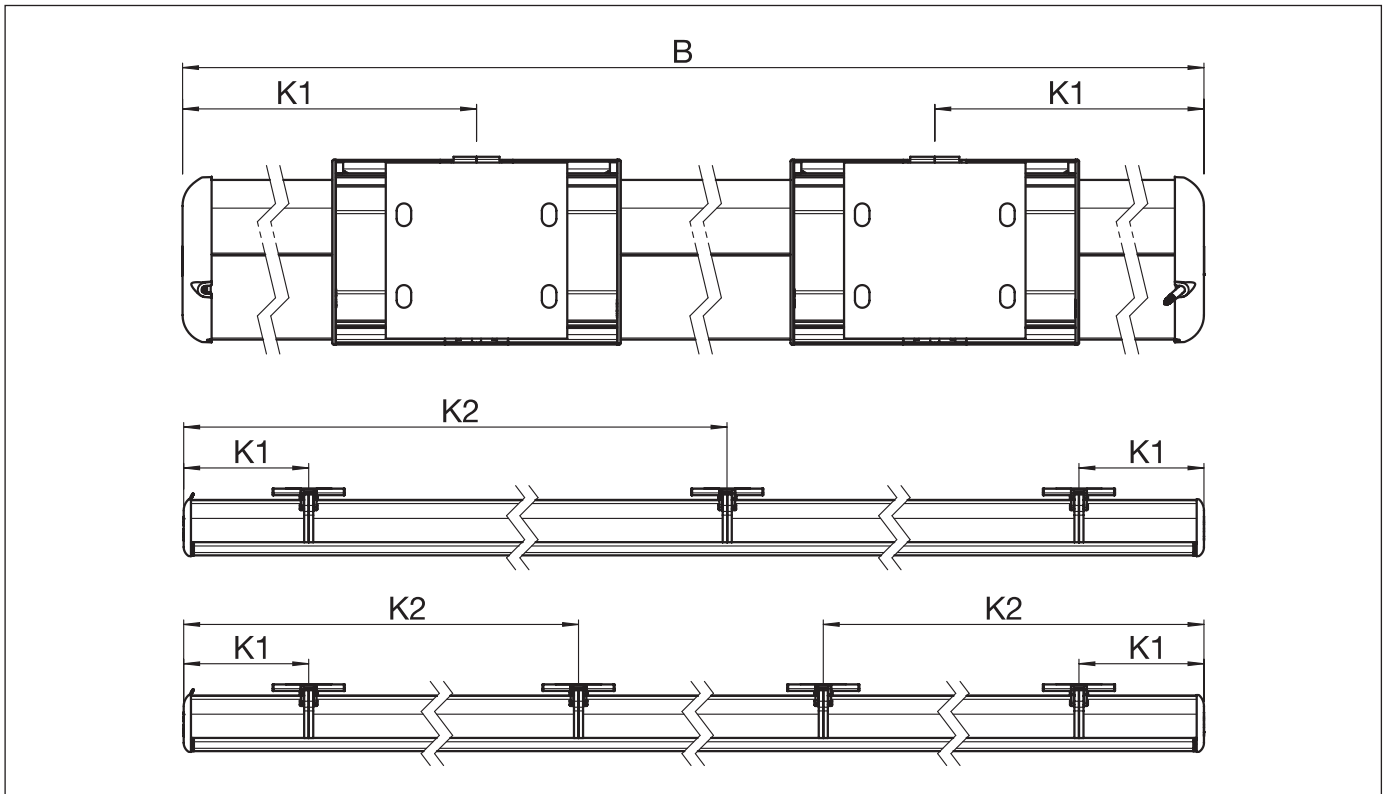


RESOBOX BX8000

Box awning

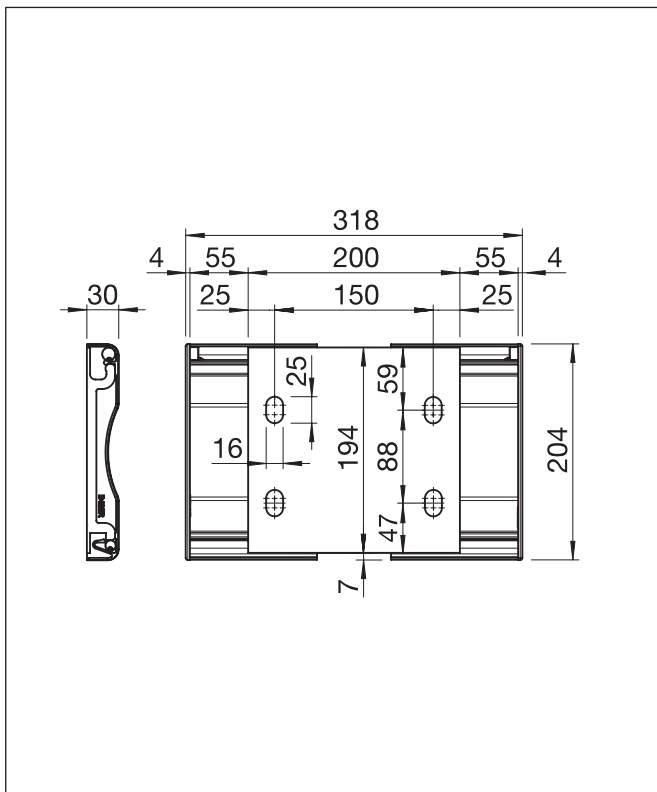
BX8000

Installation drawing

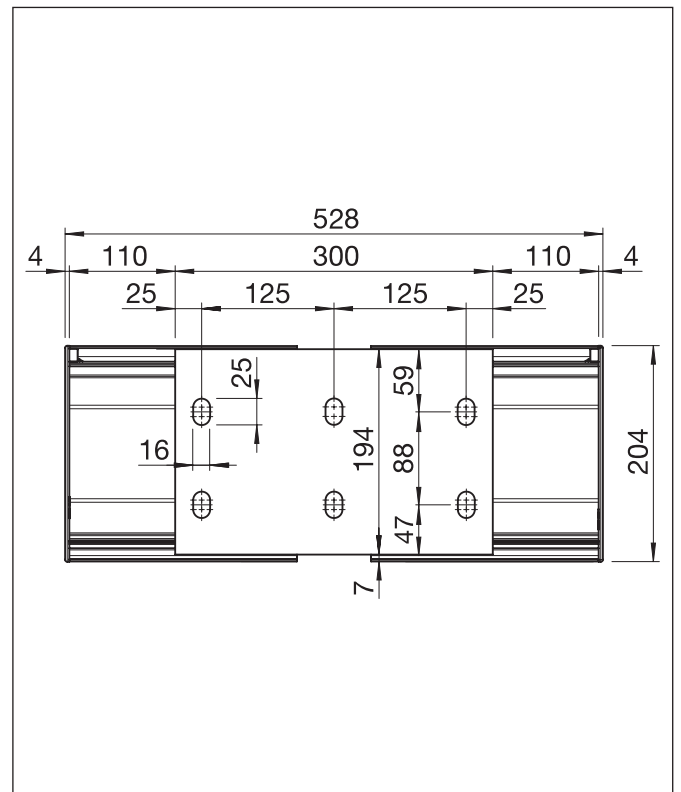


B = Total width

B423/1 Bracket kit



B423/2 Bracket kit

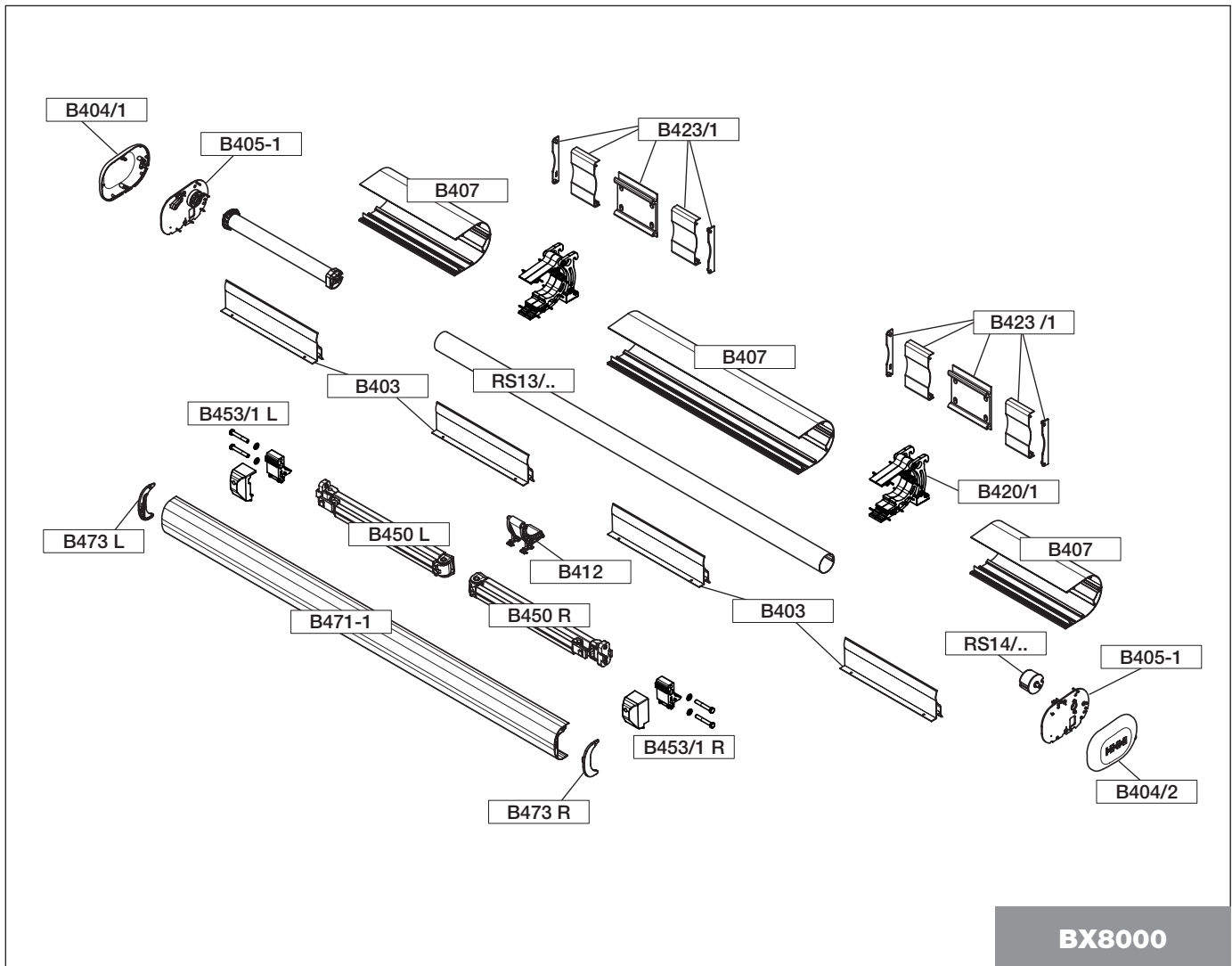


RESOBOX BX8000

Box awning

BX8000

Exploded view



BX8000

RESOBOX BX8000

Box awning

BX8000

Arm type

B450 L	150 cm	pc.
	200 cm	pc.
	250 cm	pc.
	300 cm	pc.

B450 R	150 cm	pc.
	200 cm	pc.
	250 cm	pc.
	300 cm	pc.

B440 L	150 cm	pc.
	200 cm	pc.
	250 cm	pc.
	300 cm	pc.
	350 cm	pc.

B440-1 L	400 cm	pc.
----------	--------	-----

B440 R	150 cm	pc.
	200 cm	pc.
	250 cm	pc.
	300 cm	pc.
	350 cm	pc.

B440-1 R	400 cm	pc.
----------	--------	-----

Arms suitable for VOLANT-PLUS

B440 L	150 cm	pc.
	200 cm	pc.
	250 cm	pc.
	300 cm	pc.

B440 R	150 cm	pc.
	200 cm	pc.
	250 cm	pc.
	300 cm	pc.

B439 L	350 cm	pc.
--------	--------	-----

B439-1 L	400 cm	pc.
----------	--------	-----

B439 R	350 cm	pc.
--------	--------	-----

B439-1 R	400 cm	pc.
----------	--------	-----

Arm stop

B453/1 L	for B420/1, B430/1	pc.
B453/1 R	for B420/1, B430/1	pc.

Mounting plate for wall installation

B420/1	large	pc.
--------	-------	-----

Mounting plate for sealing installation

B430/1	large	pc.
--------	-------	-----

Bracket kit

B423/1	20 cm	pc.
B423/2	30 cm	pc.

Bracket profile

S563/3	600 cm	pc.
--------	--------	-----

Cover for fixing bracket frame

B424	600 cm	pc.
------	--------	-----

Bracket cover side plate

B425 L	pc.
B425 R	pc.

Components list

Box profile

B407	500 cm	pc.
------	--------	-----

End cap special

B404/1 left	for B407	pc.
B404/2 right	for B407	pc.

Side cover pair

B405-1	consisting of:	pc.
	1 Side cap left B405/1	
	1 Side cap right B405/2	
	2 stops B408	
	1 Bearing opposite side P244	
	6 Snap fasteners	
	1 Set of screws	

Band brush

S510/1	grey	lm/roll
S510/2	black	lm/roll

Cable strap for TANDEM motor

B433	white	pc.
------	-------	-----

Cover profiles

B403	700 cm	pc.
------	--------	-----

Fittings for cover profile

SS403/B	for B403	pc.
---------	----------	-----

Front rail

B471-1	600 cm	pc.
	700 cm	pc.

End cap kit

B473	for B471	pc.
------	----------	-----

Coupling profile fitting

B477	consisting of:	pc.
	1 Coupling plate left B477/1	
	1 Coupling plate right B477/2	
	1 Set of screws	

Roller tube bracket

B412	pc.
------	-----

Tubular motors

Motor drive E / E STAS/STAK 3	pc.
Motor drive E radio / E radio STAS/STAK 4	

Roller tube gudgeon, square

RS13/4	ø78 x 1.00 mm	4.00 m	pc.
		4.50 m	pc.
		5.00 m	pc.
		5.50 m	pc.
		6.00 m	pc.
		7.00 m	pc.

RS13/7	ø85 x 1.00 mm	6.00 m	pc.
		7.00 m	pc.

Roller tube gudgeon, round

RS14/4	ø78 mm	pc.
RS14/7	ø85 mm	pc.

Link sleeve

RS16/3	ø78 mm	pc.
--------	--------	-----

RESOBOX BX8000

Box awning

B420/1



Mounting plate for wall installation

Box girder wall suitable for bracket mount B423/.. and the cover profile B407.
Range of application with 150 cm to 400 cm projection.

DELIVERY

2 Mounting plate	B421/1 L + R
2 Box bracket	B422
1 Cover	B427/1
3 Screw kit	

MATERIAL

Extruded aluminium profiles	Mounting plate, Box bracket, Cover
Set of screws:	Inox

PACKAGING UNIT

Piece

B430/1



Mounting plate for sealing installation

Box girder top suitable for bracket mount B423/.. and the cover profile B407.
Range of application with 150 cm to 400 cm projection.

DELIVERY

2 Mounting plate	B421/1 L + R
2 Box bracket	B431
1 Cover	B432/1
3 Screw kit	

MATERIAL

Extruded aluminium profiles	Mounting plate, Box bracket, Cover
Set of screws:	Inox

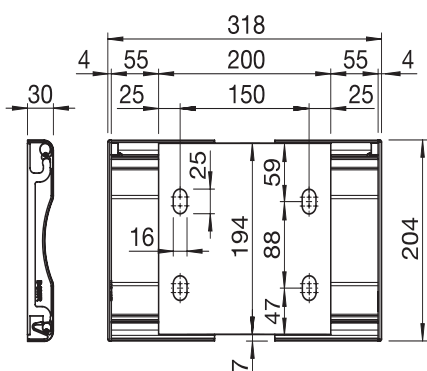
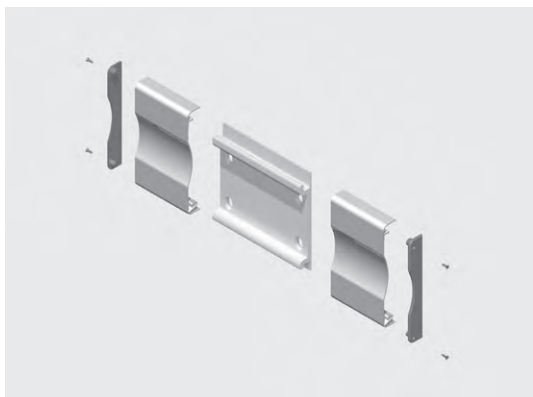
PACKAGING UNIT

Piece

RESOBOX BX8000

Box awning

B423/1



Bracket kit 20 cm

The bracket mount including the bracket cover can be used for wall and ceiling installation.

DELIVERY

1 Bracket 20 cm	S563/4
2 Brackets cover 12 cm	B424
2 Bracket covers – side frame	B425 L+R
Screws	

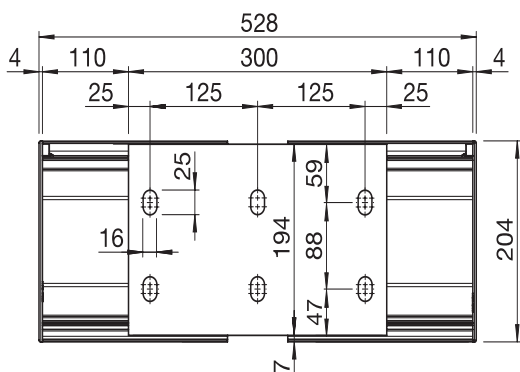
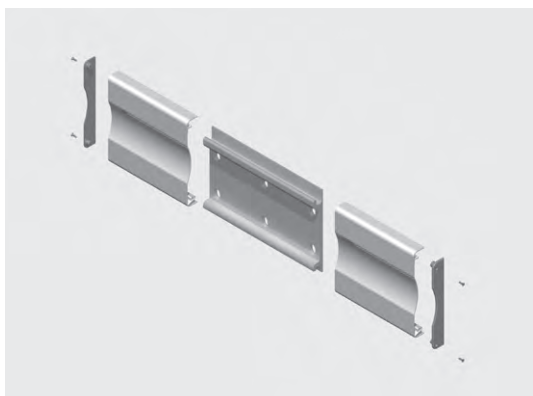
MATERIAL

Bracket, Bracket cover,	Extruded aluminium profiles
Side cap:	Inox
Screws:	

PACKAGING UNIT

Kit

B423/2



Bracket kit 30 cm

The bracket mount including the bracket cover can be used for wall and ceiling installation.

Mandatory for 350 cm, 400 cm projections and VOLANT-PLUS.

DELIVERY

1 Bracket 30 cm	S563/5
2 Brackets cover 21.5 cm	B424
2 Bracket covers – side frame	B425 L+R
Screws	

MATERIAL

Bracket, Bracket cover,	Extruded aluminium profiles
Side cap:	Inox
Screws:	

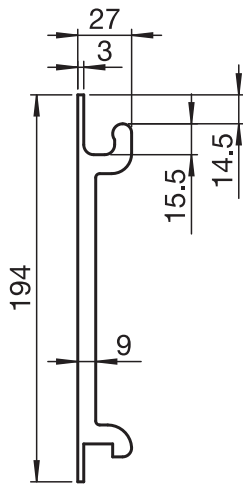
PACKAGING UNIT

Kit

RESOBOX BX8000

Box awning

S563/3



Bracket profile

The bracket profile S563/3 is available in running meter length and can be used for wall and ceiling installation. The desired length can be freely adjusted. The bracket profile however does not have mounting holes.

ENGINEERING DATA

Size: linear meter or 6 m profile
Application: for wall or top fix
Cut edges: not lacquered (additional charges)

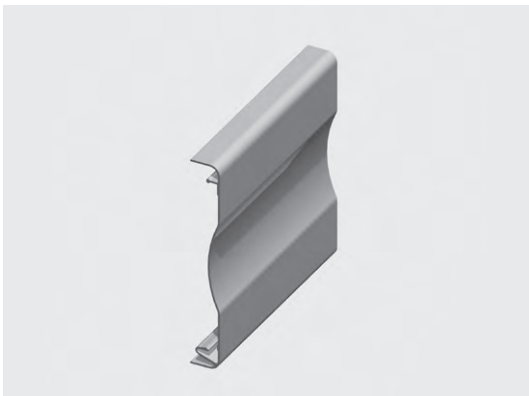
MATERIAL

Extruded aluminium profile

PACKAGING UNIT

Linear meter / Piece

B424



Bracket cover

Bracket cover profile B424 is used in combination with brackets S563/3, S563/4 and S563/5.

ENGINEERING DATA

Size: 600 cm profile

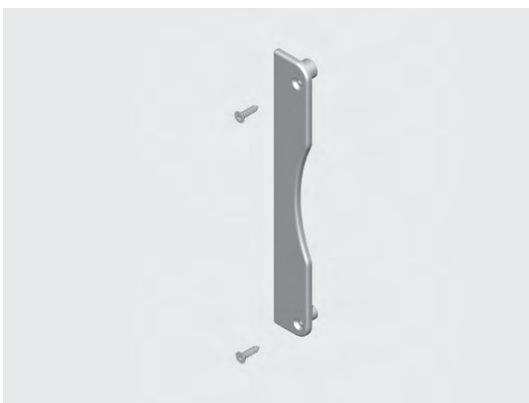
MATERIAL

Extruded aluminium profile

PACKAGING UNIT

Piece

B425/..



Bracket cover side plate

Side frame for bracket cover B424. This side frame is screwed to the bracket cover and thus offers compact side covering.

MATERIAL

Side cap: Aluminium alloy casting
Screws: Inox

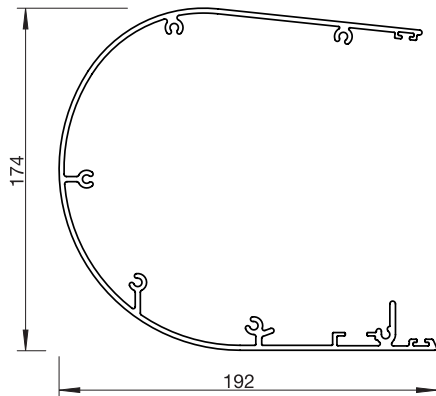
PACKAGING UNIT

Piece

RESOBOX BX8000

Box awning

B407



Box profile

1-piece box profile for RESOBOX BX8000.

ENGINEERING DATA

Standard lengths: 500 cm

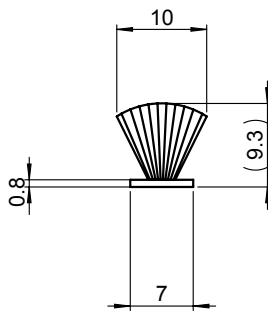
MATERIAL

Extruded aluminium profiles

PACKAGING UNIT

Piece

S510/.



Band brush

Band brush for the box BX303, BX305.

ENGINEERING DATA

Size: S510/1 = grey
S510/2 = black

MATERIAL

Brush: plastic

PACKAGING UNIT

Rolls or linear meter

B404/1



End cap (left)

The cover plate is attached to the side cover and thereby locked into place.

MATERIAL

End cap: Aluminium alloy casting

PACKAGING UNIT

Piece

RESOBOX BX8000

Box awning

B404/2



End cap (right)

The cover plate is attached to the side cover and thereby locked into place.

MATERIAL

End cap: Aluminium alloy casting

PACKAGING UNIT

Piece

B405-1



Side cover pair

The side cover is screwed tightly to the box profile. The motor, hinge bracket as well as both stops are mounted to it.
(The motor mount is included with the delivered motor)

DELIVERY

1 Side cap left	B405/1
1 Side cap right	B405/2
2 Stop	B408
1 Bearing opposite side	P244
6 Snap fasteners	
1 Set of screws	

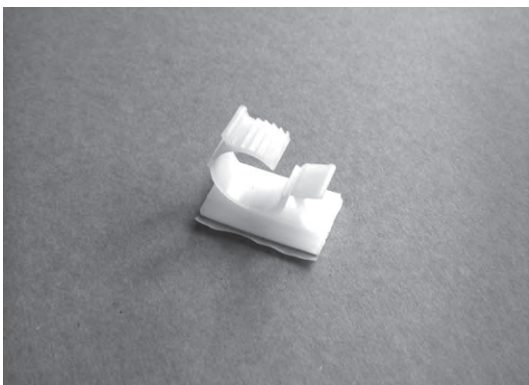
MATERIAL

Side cap: Aluminium / raw
Stop, Bearing opposite side: Plastic
Screws, Ball bearing, Snap fastener: Inox

PACKAGING UNIT

Piece

B433



Cable strap

The self-sticking cable strap is urgently necessary in connection with the Tandem motor.
Stick 1 piece per meter in the protection box profile.

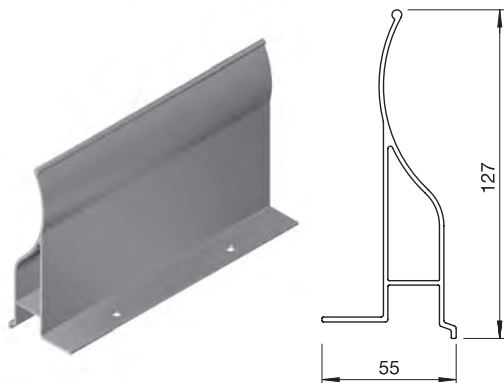
PACKAGING UNIT

Piece

RESOBOX BX8000

Box awning

B403



Cover profiles

The cover profile is used as visual protection for the roller shaft and it is fastened to the box profile.

MATERIAL

Extruded aluminium profiles

PACKAGING UNIT

Piece

SS403/B



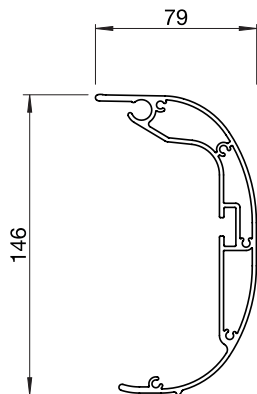
Kit for cover profiles

The cover profile is screwed to the box by using the cover profile screw. Self-glueing rubber stop to protect the folding arms.

PACKAGING UNIT

Piece

B471-1



Front rail

The rounded drop profile is suitable exclusively for the RESOBOX awning.

MATERIAL

Extruded aluminium profiles

PACKAGING UNIT

Piece

RESOBOX BX8000

Box awning

B473



End cap kit

End cap fittings suitable for drop profile B471-1.

MATERIAL

2 End cap: Aluminium alloy casting
Screws: Inox

PACKAGING UNIT

Piece

B477



Coupling profile fitting

The coupling profile fitting is screwed to both drop profiles and then firmly connected to each other. They are required if the awning width is over 700 cm and two drop profiles are coupled together.

DELIVERY

1 Coupling plate left B477/1
1 Coupling plate right B477/2
1 set of screws

MATERIAL

Coupling plate: Aluminium sheet
Screws: Stainless steel

PACKAGING UNIT

Set

B412



Roller tube bracket

These roller shaft supports are only suitable for the RESOBOX BX8000. These roller shaft supports with unwinding straps do not create friction on the fabric seam and thus allow for awning widths of up to 18 m.

ENGINEERING DATA

Is only used with \varnothing 78 mm roller shafts
Transport strap width 58 mm

MATERIAL

Aluminium alloy casting
Wind and unwind straps: Plastic
Set of screws: Inox

PACKAGING UNIT

Piece

RESOBOX BX8000

Box awning

B453/1 ..



Arm stop (large)

A folding arm is fastened to the arm stop and serves as a stop for the ideal folding arm position.

Suitable for: Box girder wall B420/1 (wide)
Box girder ceiling B430/1 (wide)

MATERIAL

Arm support	Extruded aluminium profiles
Arm stop, Stopper	Plastic
Screws	Inox

PACKAGING UNIT

Piece

B450 ..

Folding arms



Folding arm with integrated pivoting segment. This folding arm can only be used for the RESOBOX awning.

Not possible with VOLANT-PLUS.

ENGINEERING DATA

Folding arm with integrated tension spring and Inox steel cable arm projection measured from the wall to the leading edge drop profile.

Profile sizes:	51 x 28 mm, 67 x 39 mm
Standard lengths:	150, 200, 250, 300 cm

MATERIAL

Arm profiles:	Extruded aluminium profiles
Joints:	Aluminium alloy casting
Cables:	Stainless steel cable with protection sleeves

PACKAGING UNIT

Piece

RESOBOX BX8000

Box awning

B440 ..

Folding arms



Folding arm with integrated pivoting segment. The folding parts are dropforged for higher stability. This folding arm can only be used for the RESOBOX awning.

Possible in combination with VOLANT-PLUS with 300 cm projection.

ENGINEERING DATA

Folding arm with integrated tension spring and Inox steel cable arm projection measured from the wall to the leading edge drop profile.

Profile sizes: 62 x 34 mm, 80 x 48 mm
Standard lengths: 150, 200, 250, 300, 350 cm

MATERIAL

Arm profiles: Extruded aluminium profiles
Joints: Aluminium dropforged
Cables: Stainless steel cable with protection sleeves

PACKAGING UNIT

Piece

RESOBOX BX8000

Box awning

B440-1 ..

Folding arms



Folding arm with integrated pivoting segment. The folding parts are dropforged for higher stability. This folding arm can only be used for the RESOBOX awning.

ENGINEERING DATA

Folding arm with integrated tension spring and Inox steel cable arm projection measured from the wall to the leading edge drop profile.

Profile sizes: 62 x 34 mm, 80 x 48 mm
Standard lengths: 400 cm

MATERIAL

Arm profiles: Extruded aluminium profiles
Joints: Aluminium dropforged
Cables: Stainless steel cable with protection sleeves

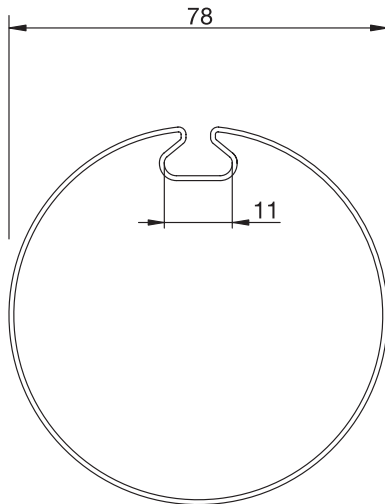
PACKAGING UNIT

Piece

RESOBOX BX8000

Box awning

RS13/4



Galvanized roller tube 78 mm

Galvanized roller tube 78 mm with flat groove is suitable for all STOBAG awnings.

ENGINEERING DATA

RS13/4 $\varnothing 78 \times 1.00$ mm galvanized
Standard lengths: 400, 450, 500, 550, 600, 700 cm

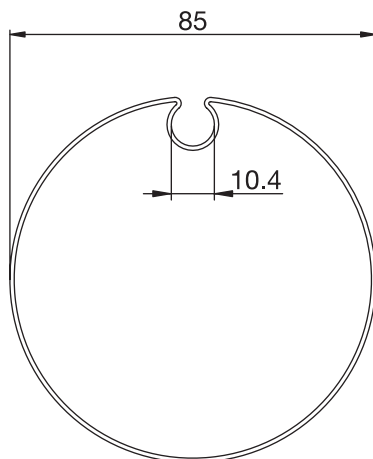
MATERIAL

Steel sheet galvanized

PACKAGING UNIT

Piece

RS13/7



Galvanized roller tube 85 mm

Galvanized roller tube 85 mm.
Used for total width of 551 cm to 600 cm.

ENGINEERING DATA

RS13/7 $\varnothing 85 \times 1.00$ mm galvanised
Standard lengths: 600, 700 cm

MATERIAL

Steel profile galvanised

PACKAGING UNIT

Piece

RS14/..



Roller tube gudgeon (plastic without board)

Bearing pin standard without edge, suitable for roller shaft RS13/..

ENGINEERING DATA

RS14/4 for 78er Galvanized roller
RS14/7 for 85er Galvanized roller

MATERIAL

Roller tube gudgeon: Plastic

PACKAGING UNIT

Piece

RESOBOX BX8000

Box awning

RS16/3



Link sleeve

The roller shaft coupling is inserted and riveted into the roller shaft. They are required if the awning width is over 700 cm and two roller shafts are coupled.

ENGINEERING DATA

RS16/3 for 78er Galvanized roller

MATERIAL

Aluminium tube

PACKAGING UNIT

Piece

VOLANT-PLUS FOR TYPE RESOBOX BX8000

Roller valance

VOLANT-PLUS



Description

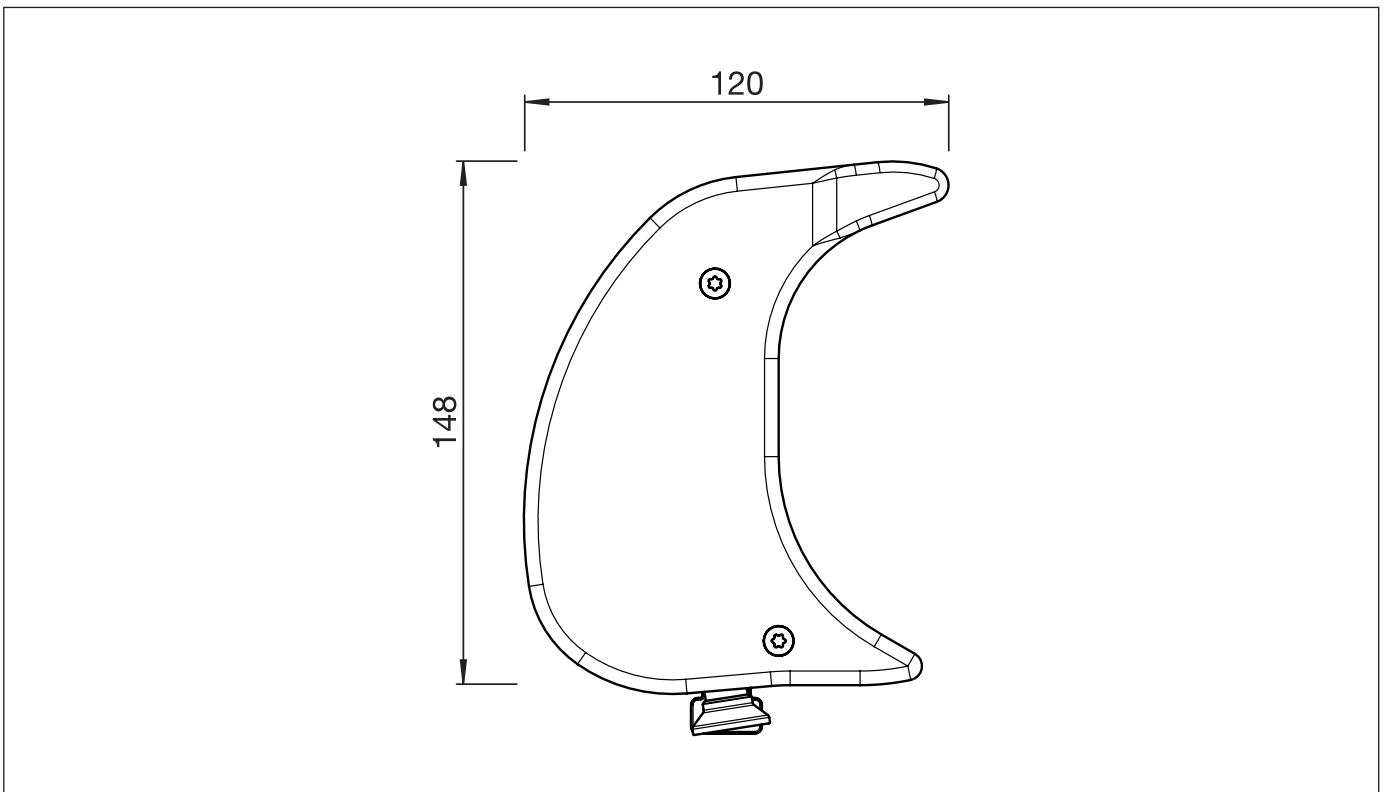
VOLANT PLUS is a drop profile with integrated roller shaft, fabric and declining profile. The cover can be lowered with a gear and crank. Up to 700 cm total width with 1 gear (left or right facing). From 701 cm total width with 2 gears (1 left and 1 right).

	max. 1400 cm		* max. 170 cm
---	--------------	---	---------------

* 120 cm Acryl
* 170 cm Soltis

VOLANT-PLUS

Dimensioning

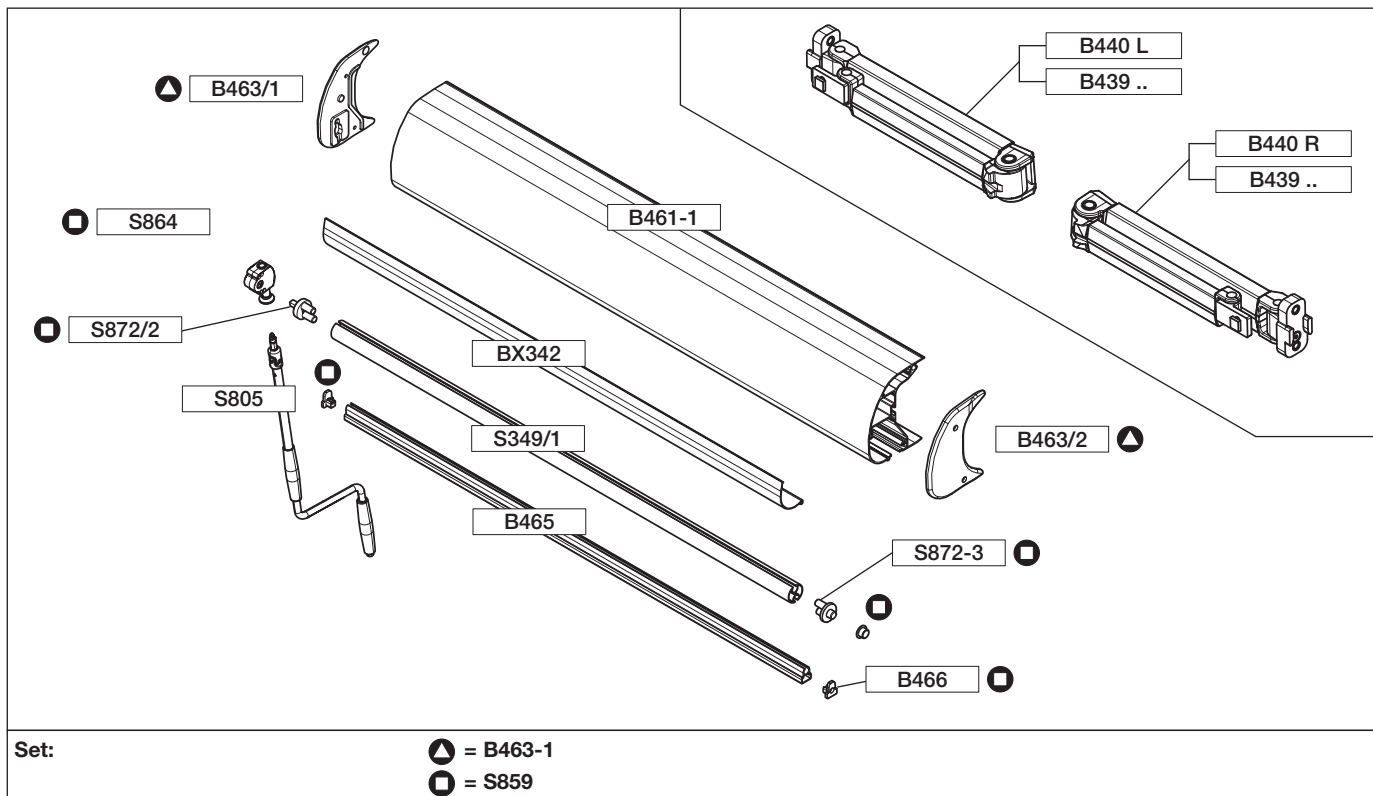


VOLANT-PLUS FOR TYPE RESOBOX BX8000

Roller valance

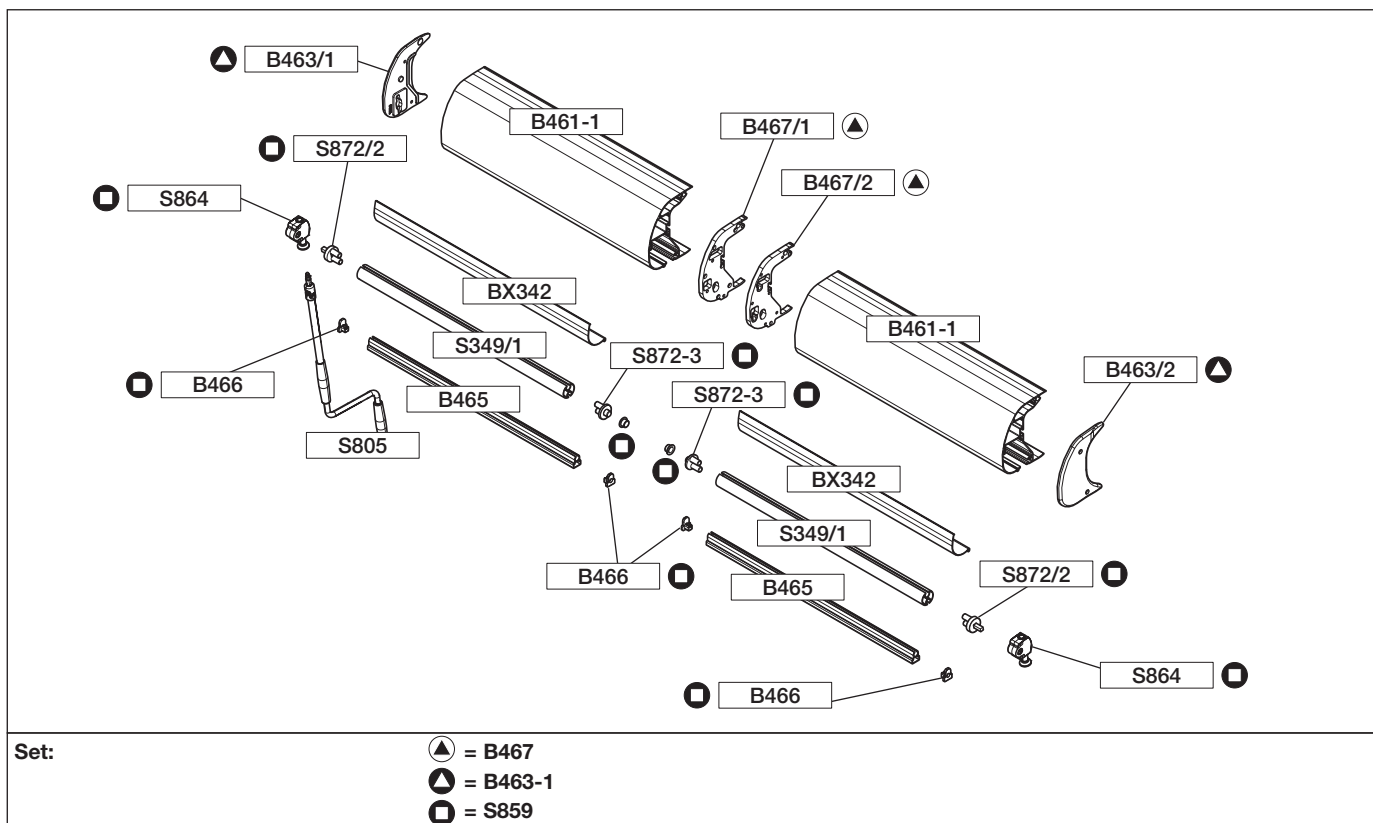
200 cm up to 700 cm

Exploded view



701 cm up to 1400 cm

Exploded view



VOLANT-PLUS FOR TYPE RESOBOX BX8000

Roller valance

VOLANT-PLUS

Arms for VOLANT-PLUS

B440 L	150 cm	pc.
	200 cm	pc.
	250 cm	pc.
	300 cm	pc.
B440 R	150 cm	pc.
	200 cm	pc.
	250 cm	pc.
	300 cm	pc.
B439 L	350 cm	pc.
B439-1 L	400 cm	pc.
B439 R	350 cm	pc.
B439-1 R	400 cm	pc.

Front rail (VOLANT-PLUS)

B461-1	700 cm	pc.
--------	--------	-----

Sliding bowl

BX342 to B472	350 cm	pc.
---------------	--------	-----

Front rail

B465	600 cm	pc.
	700 cm	pc.

Roller tube

S349/1	400 cm	pc.
	500 cm	pc.
	600 cm	pc.

Components list

700 cm pc.

AV-End cap fitting

B463-1	consisting of:	pc.
▲	1 End cap left B463/1	
	1 End cap right B463/2	
	1 set of screws	

AV-Coupling profile fitting

B467	consisting of:	pc.
▲	1 Coupling plate left B467/1	
	1 Coupling plate right B467/2	
	1 set of screws	

AV-Set

S859	consisting of:	pc.
□	1 AV-gearbox S864	
	1 journal pin short S872-3	
	1 roller tube gudgeon square S872/2	
	2 front rail covers B466	
	1 set of screws	

Connecting rod pluggable

S805	88 cm	pc.
------	-------	-----

VOLANT-PLUS FOR TYPE RESOBOX BX8000

Roller valance

B463-1



AV-End cap fitting

End cap fitting for VOLANT-PLUS.

DELIVERY

1 End cap left	B463/1
1 End cap right	B463/2
1 set of screws	

MATERIAL

End cap:	Aluminium alloy casting
Screws:	Stainless steel

PACKAGING UNIT

Set

B467



AV-Coupling profile fitting

Coupling profile fitting for VOLANT-PLUS.

DELIVERY

1 Coupling plate left B467/1	
1 Coupling plate right B467/2	
1 set of screws	

MATERIAL

Coupling plate:	Aluminium sheet
Screws:	Stainless steel

PACKAGING UNIT

Set

S859



AV-Set

AV-Set for VOLANT-PLUS.

DELIVERY

1 AV-gearbox	S864
1 Journal pin short	S872-3
1 roller tube gudgeon square	S872/2
2 Front rail covers	B466
1 set of screws	

MATERIAL

Gearbox, Journal pin short,	
Front rail cover:	Aluminium alloy casting
Screws:	Stainless steel

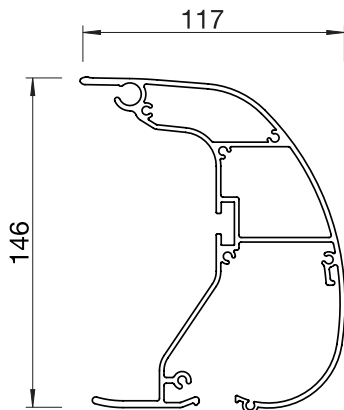
PACKAGING UNIT

Set

VOLANT-PLUS FOR TYPE RESOBOX BX8000

Roller valance

B461-1



AV-Front rail

Drop profile to RESOBOX awning with chamber for holding drop valances.

Only available in combination with the drop valance.

MATERIAL

Front rail: Extruded aluminium profile

PACKAGING UNIT

Piece

BX342



Sliding bowl

The sliding bowl is necessary for use with front rail BX314.

ENGINEERING DATA

Standard lengths: 350 cm

MATERIAL

Plastic

PACKAGING UNIT

Set

B465



Front rail

Valance declining profile suitable for drop valance, with rivets for awning fabric support.

ENGINEERING DATA

Standard lengths: 600, 700 cm

MATERIAL

Front rail: Extruded aluminium profiles

PACKAGING UNIT

Piece

VOLANT-PLUS FOR TYPE RESOBOX BX8000

Roller valance

S349/1



AV-Galvanized roller

Roller shaft suitable for drop valance, with rivets for fabric support.

ENGINEERING DATA

Standard lengths: 400, 500, 600, 700 cm

MATERIAL

AV-Galvanized roller Extruded aluminium profiles

PACKAGING UNIT

Piece

B440 ..

Folding arms



Folding arm with integrated pivoting segment. The folding parts are dropforged for higher stability. This folding arm can only be used for the RESOBOX awning.

Possible in combination with VOLANT-PLUS with 300 cm projection.

ENGINEERING DATA

Folding arm with integrated tension spring and Inox steel cable arm projection measured from the wall to the leading edge drop profile.

Profile sizes: 62 x 34 mm, 80 x 48 mm
Standard lengths: 150, 200, 250, 300 cm

MATERIAL

Arm profiles: Extruded aluminium profiles
Joints: Aluminium dropforged
Cables: Stainless steel cable with protection sleeves

PACKAGING UNIT

Piece

RESOBOX BX8000

Box awning

B439 ..

Folding arms



Folding arm with integrated pivoting segment. The folding parts are dropforged for higher stability. This folding arm can only be used for the RESOBOX awning.

Use only in combination with VOLANT PLUS.

ENGINEERING DATA

Folding arm with integrated tension spring and Inox steel cable arm projection measured from the wall to the leading edge drop profile.

Profile sizes: 62 x 34 mm, 80 x 48 mm
Standard lengths: 350 cm

MATERIAL

Arm profiles: Extruded aluminium profiles
Joints: Aluminium dropforged
Cables: Stainless steel cable with protection sleeves

PACKAGING UNIT

Piece

B439-1 ..

Folding arms



Folding arm with integrated pivoting segment. The folding parts are dropforged for higher stability. This folding arm can only be used for the RESOBOX awning.

Use only in combination with VOLANT PLUS.

ENGINEERING DATA

Folding arm with integrated tension spring and Inox steel cable arm projection measured from the wall to the leading edge drop profile.

Profile sizes: 62 x 34 mm, 80 x 48 mm
Standard lengths: 400 cm

MATERIAL

Arm profiles: Extruded aluminium profiles
Joints: Aluminium dropforged
Cables: Stainless steel cable with protection sleeves

PACKAGING UNIT

Piece

