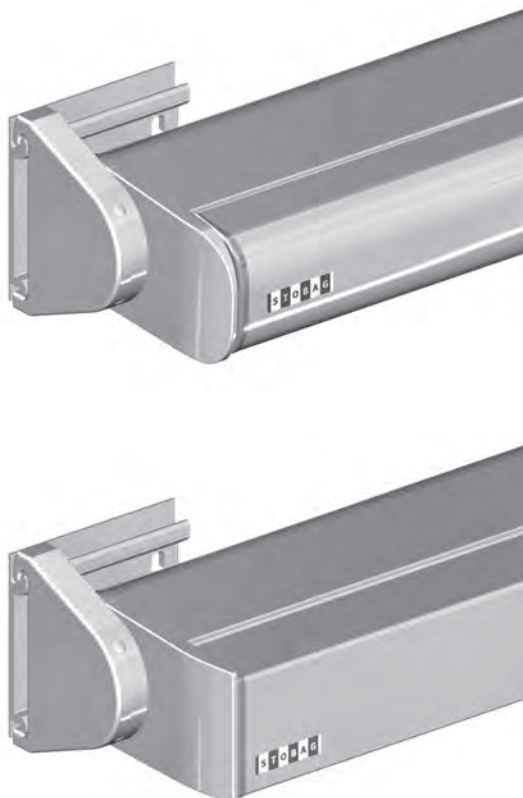


TENDABOX BX3000

Cassette awning with folding arms

BX3000



with gearbox:

	min. 195 cm max. 600 cm		min. 150 cm max. 350 cm
--	----------------------------	--	----------------------------

	0°-25° Wall fixing 0°-30° Top fixing 0°-30° Rafter installation
--	---

with motor:

	min. 180 cm max. 650 cm		min. 150 cm max. 400 cm
--	----------------------------	--	----------------------------

	0°-85° Wall fixing 0°-85° Top fixing 0°-85° Rafter installation
--	---

Minimal with for a given projection

Projection	minimal width	
	S534 arms	BX330 arms
150 cm	195	180
200 cm	255	280
250 cm	305	330
300 cm	365	380
350 cm	415	430
400 cm	---	470

Description

One-piece U-shaped protective cover (Dimension 179 x 145 mm), as from 500 cm total width protective cover inner reinforcement (Dimension 179 x 145 mm), of extruded aluminium profile as support element of structure with a groove at the upper end of profile for inserting sealing brush. Side cover as cassette end for accepting fabric roller shaft \varnothing 78 or \varnothing 85 of galvanised steel and for securing folding arms. Securing flange (on side cover) with hooks for hanging the awning on the brackets used for wall or ceiling installation. Securing flange, side cover, bracket are all made of aluminium casting alloy. Awning is extended and retracted manually via a bevel gearbox with integrated end stop and freewheel operating handle ring, speed reduction 4.6:1. The bevel gearbox is operated via a removable crank shaft of powder-coated metal in white, grey or black with hook and plastic handle. Front rail of extruded aluminium in rounded (Dimension 98 x 131 mm) or square (Dimension 98 x 131 mm) shape with matching plastic end caps. Folding arms with inverse incline of aluminium extruded profiles and precision parts of aluminium cast alloy, internal tension springs and double stainless steel cables and cable protector over the middle joint. Simple and continuous inclination angle adjustment via a hexagon socket screw in the mounting flange from 0°- 25° with gear and 0°- 85° with motor for wall mounting, 0°- 30° with gear and 0°- 85° with motor for ceiling and rafter mounting.

The aluminium profiles and aluminium cast parts are powder-coated in facade quality. All visible screws are stainless steel. The cover with a spin-dyed acrylic cloth (price category 1), colour consistent, very high UV protection, good tensile strength, water and dirt resistant is from the STOBAG collection.

Options:

Brackets

In order to cater for different installation conditions such as poor brickwork, wood/steel structures, rafters etc., we offer a range of different types of brackets.

Wall junction profile

Aluminium extruded wall junction profile incl. side cover of aluminium sheet is attached to the facade to prevent rainwater dropping between the facade and the awning.

Roller shaft screen

Extruded aluminium profile as roller shaft screen.

Volant-Plus

Volant-Plus is a drop profile with integrated roller shaft, fabric and declining profile. The fabric can be lowered with a gear and crank.

Electric drive

With an electronic limit switch: Tubular AC motor 230 V, 50 Hz or 120 V, 60 Hz (according to the country) with electromechanical brakes and electronic end stop. Thermal protection, protection class IP54 (spray water), with 50-150 cm connection cable.

Remote control motor with an electronic limit switch: Tubular AC motor 230 V, 50 Hz or 120 V, 60 Hz (according to the country) with electromechanical brakes and electronic end stop. Integrated radio receiver, thermal protection, protection class IP54 (spray water), with 50-150 cm connection cable.

Cover / manufacture technology

Awning covers of polyester, acrylic etc. and various assembly technologies such as gluing, TENARA stitching etc. as per STOBAG collection (collection index).

METHOD OF DELIVERY

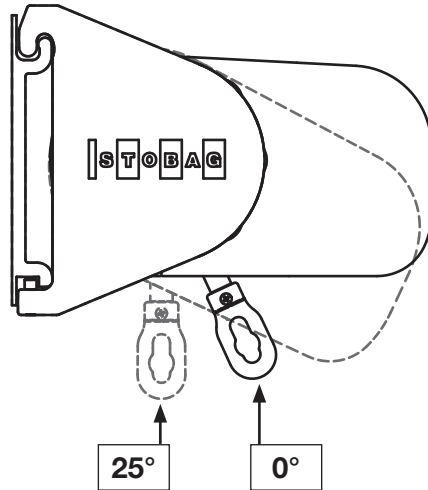
Awnings completely assembled, with cover

TENDABOX BX3000

Cassette awning with folding arms

Gearbox position (wall mounting)

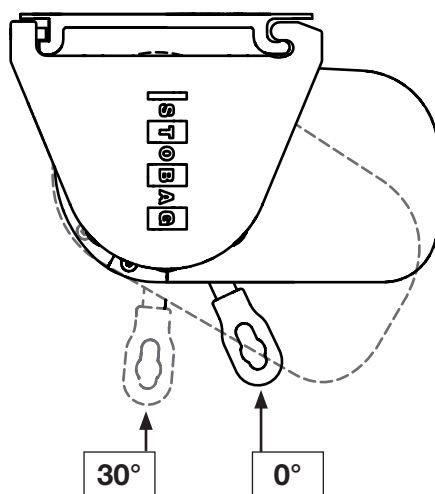
Drop-out: 0° - 25°



Depending on the drop-out, the position of the crank ring changes.

Gearbox position (ceiling / rafter mounting)

Drop-out: 0° - 30°





Depending on the drop-out, the position of the crank ring changes.

TENDABOX BX3000

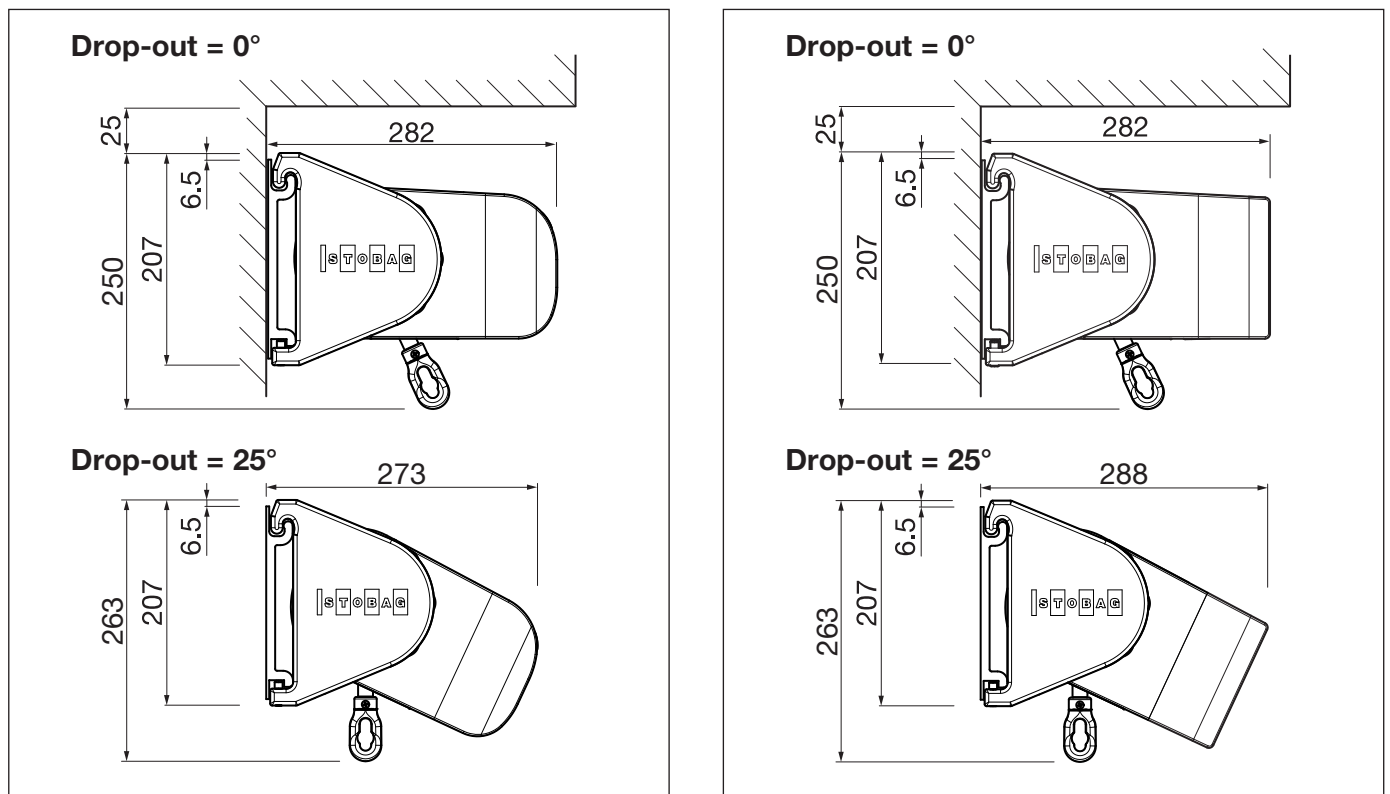
Cassette awning with folding arms

Drop-out table (degrees in cm)

 / 	150	200	250	300	350	400
5°	13	17	22	26	31	35
10°	26	35	43	52	61	69
15°	39	52	65	78	91	104
20°	51	68	86	103	120	137
25°	63	85	106	127	148	169
30°	75	100	125	150	175	200
40°	96	129	161	193	225	257
50°	115	153	192	230	268	306
60°	130	173	217	260	303	346
70°	141	188	235	282	329	376
80°	148	197	246	295	345	394

Dimensions in cm

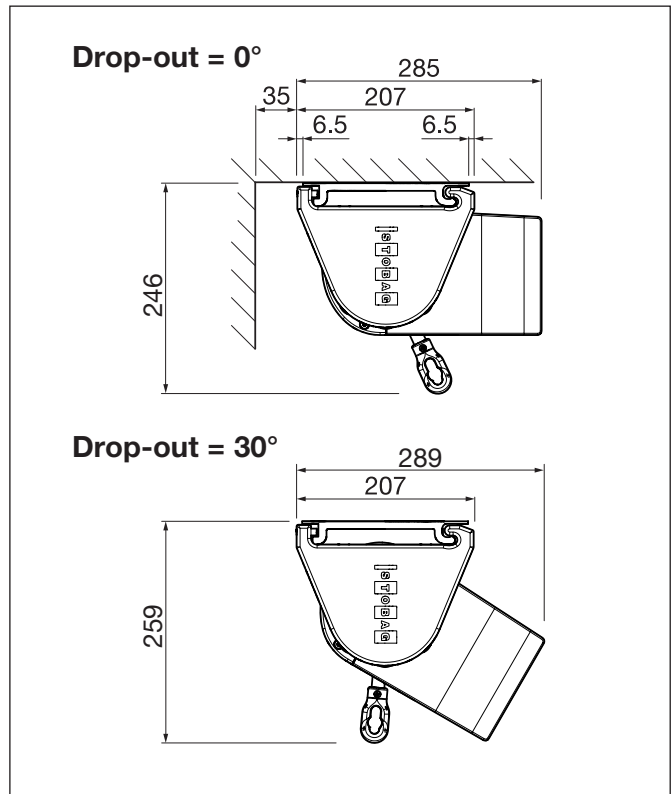
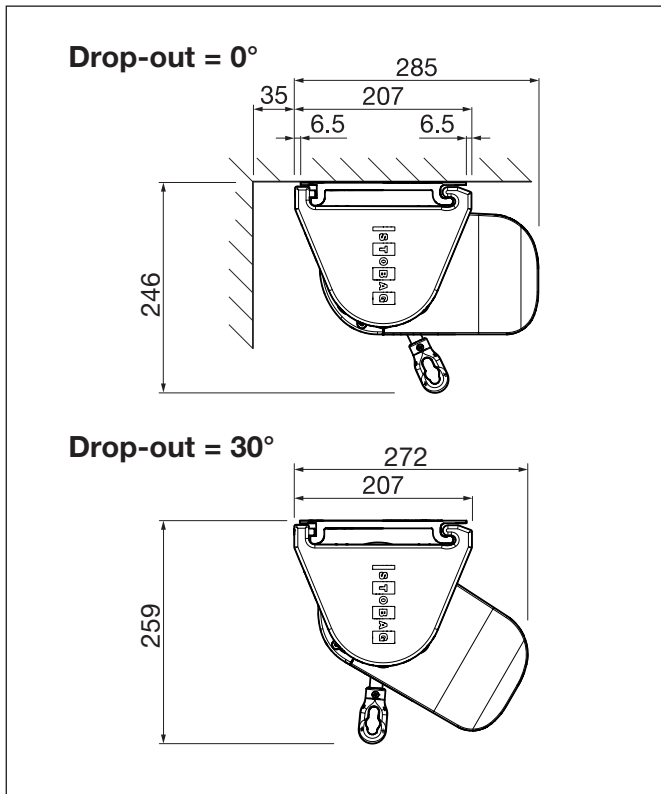
Wall fixing (with gearbox)



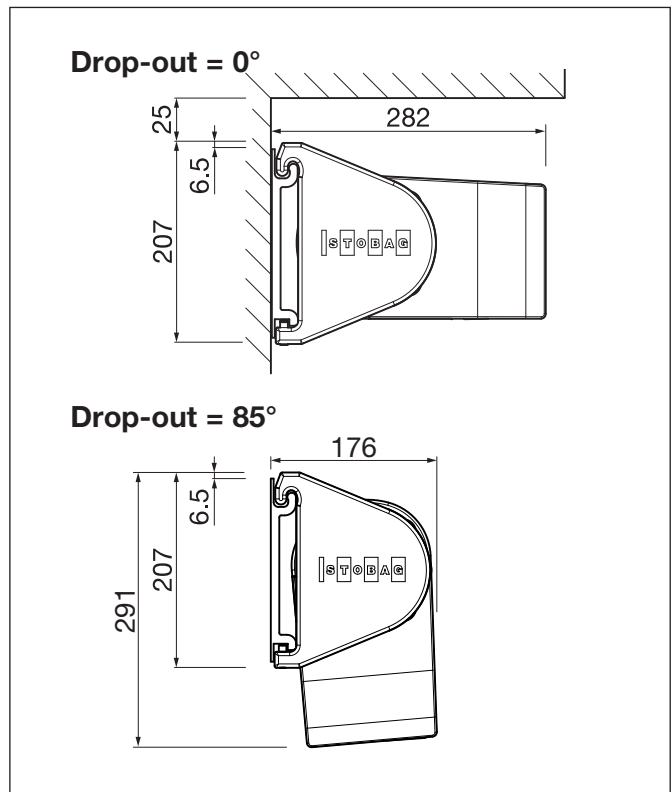
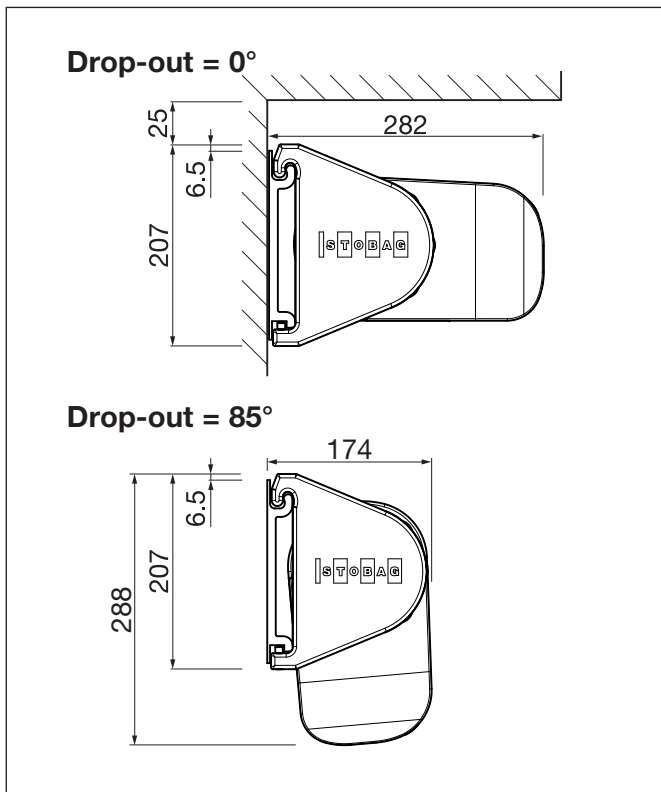
TENDABOX BX3000

Cassette awning with folding arms

Top fixing (with gearbox)



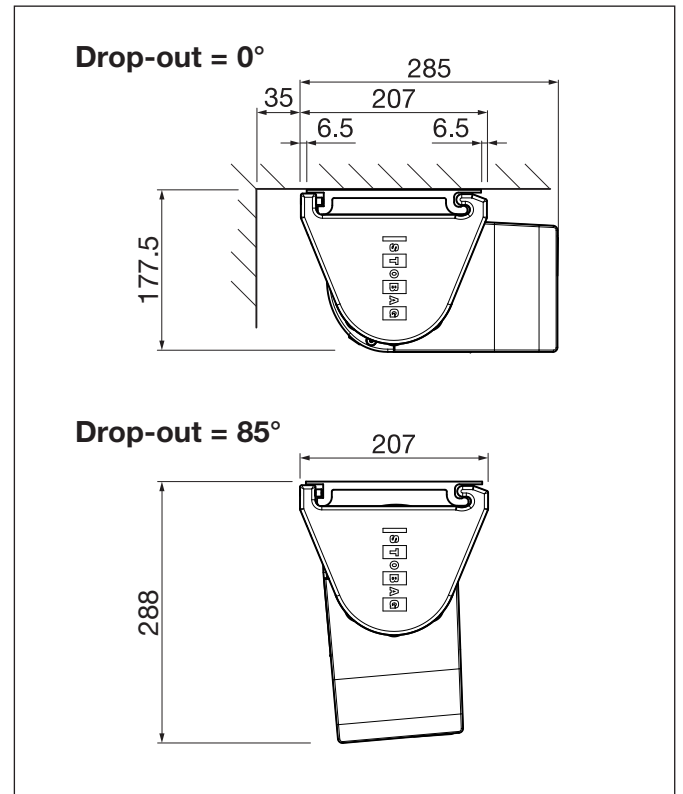
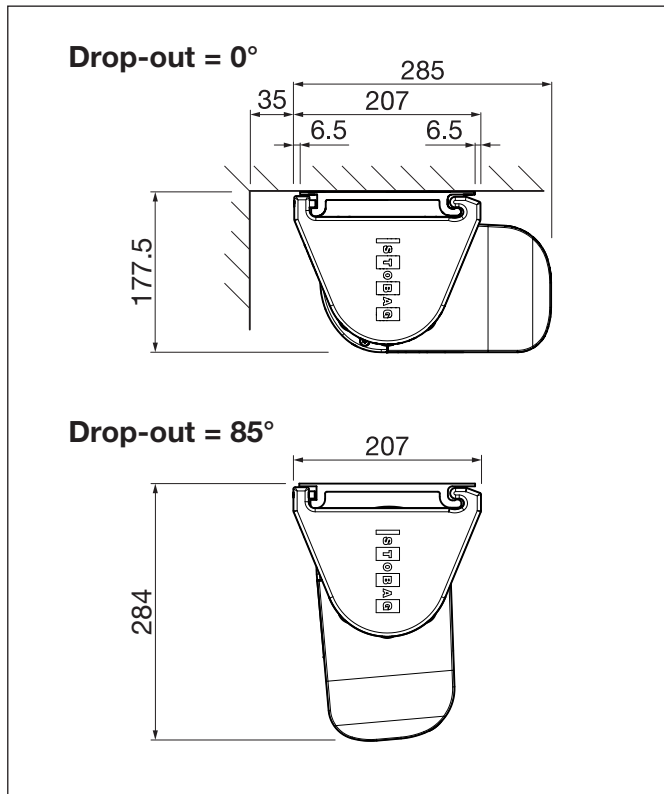
Wall fixing (with motor)



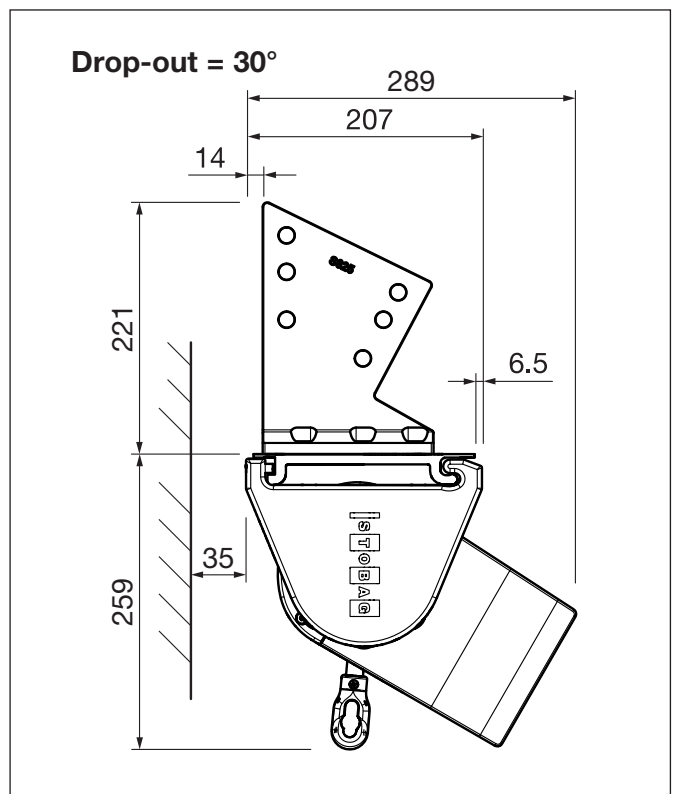
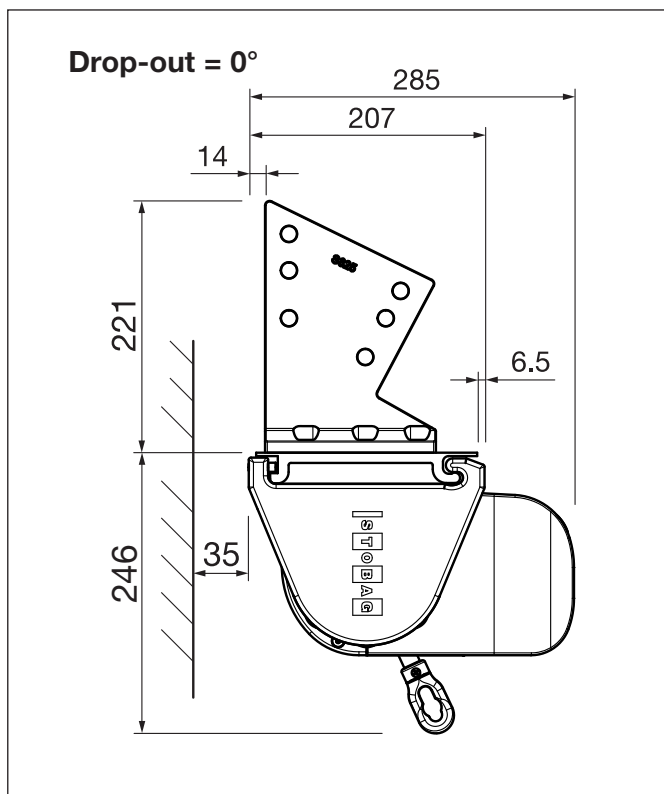
TENDABOX BX3000

Cassette awning with folding arms

Top fixing (with motor)



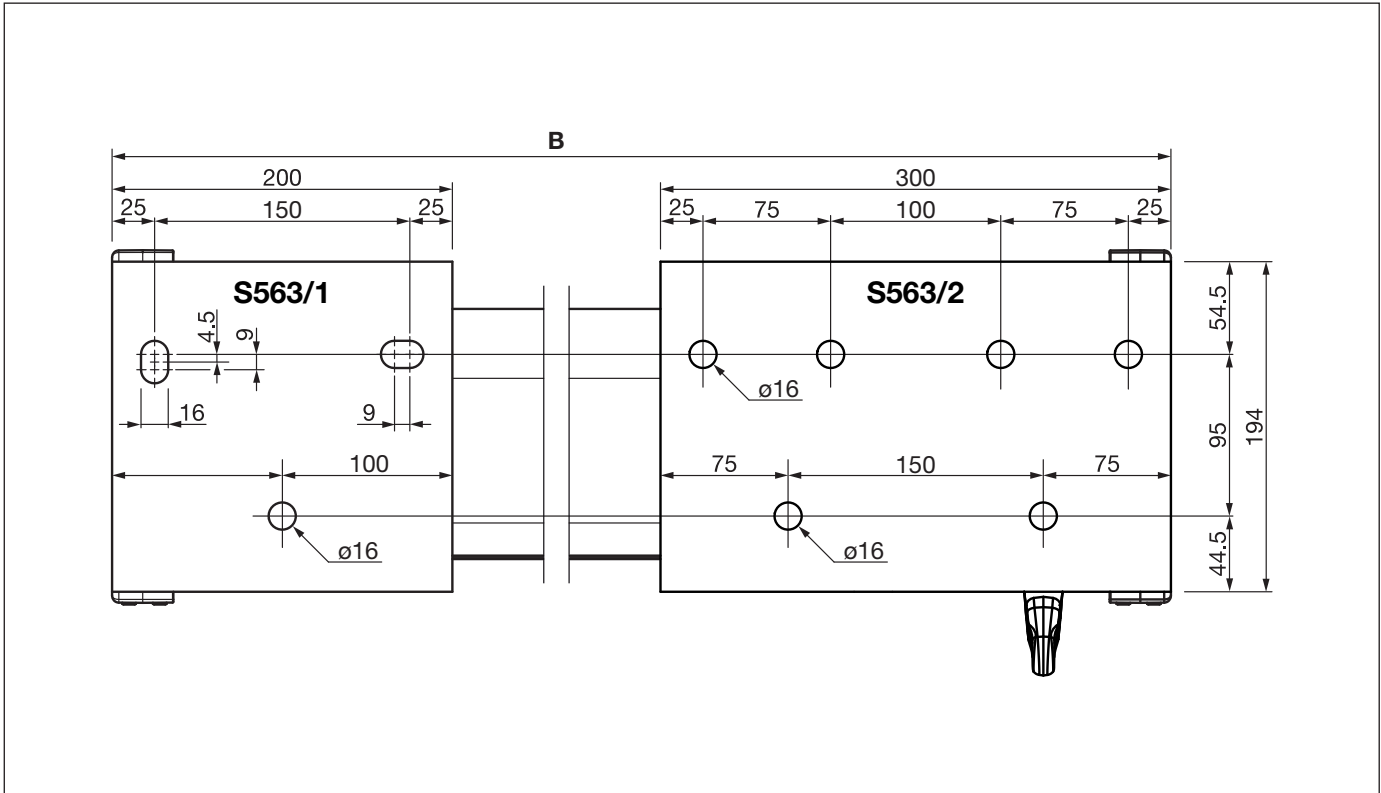
Rafter installation (with gearbox)



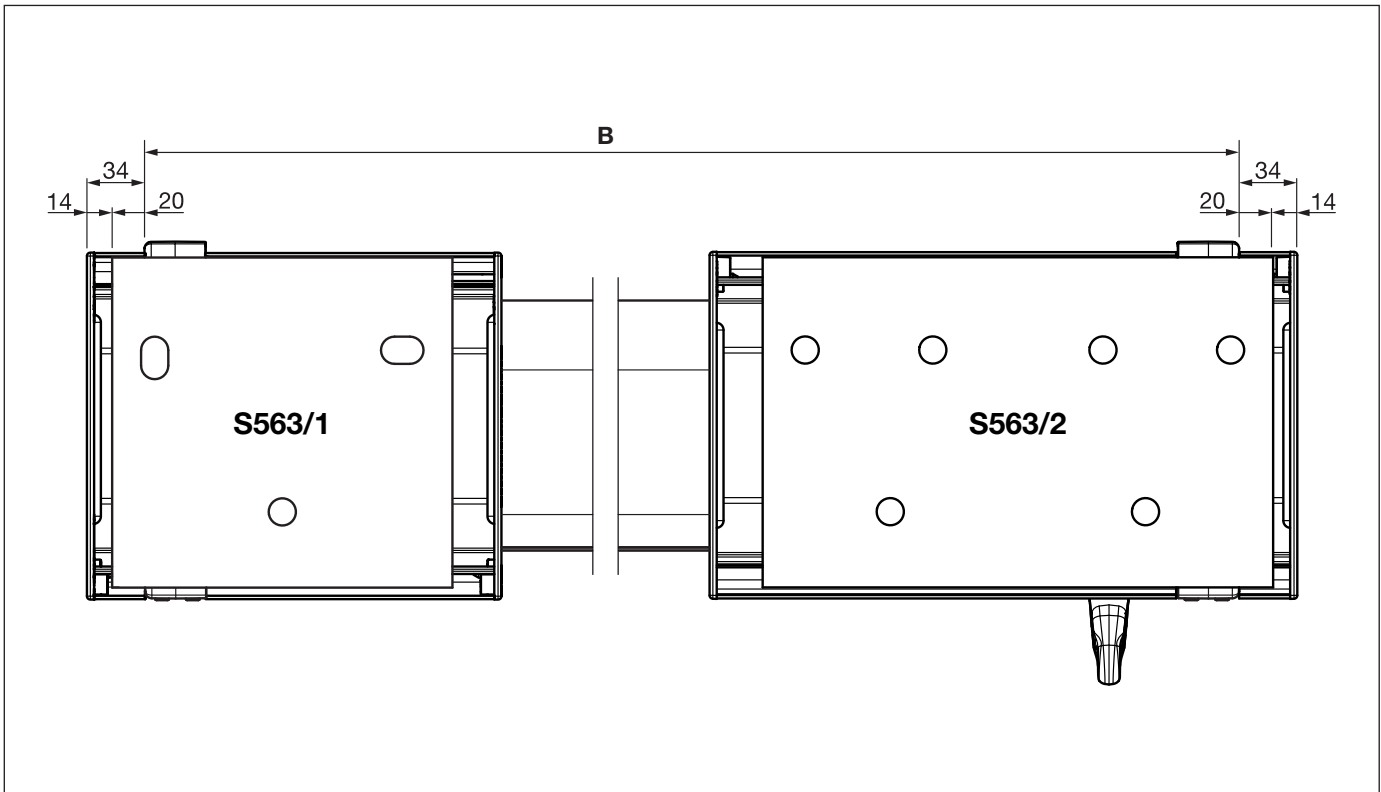
TENDABOX BX3000

Cassette awning with folding arms

Installation drawing (without bracket cover)



Installation drawing (with bracket cover)

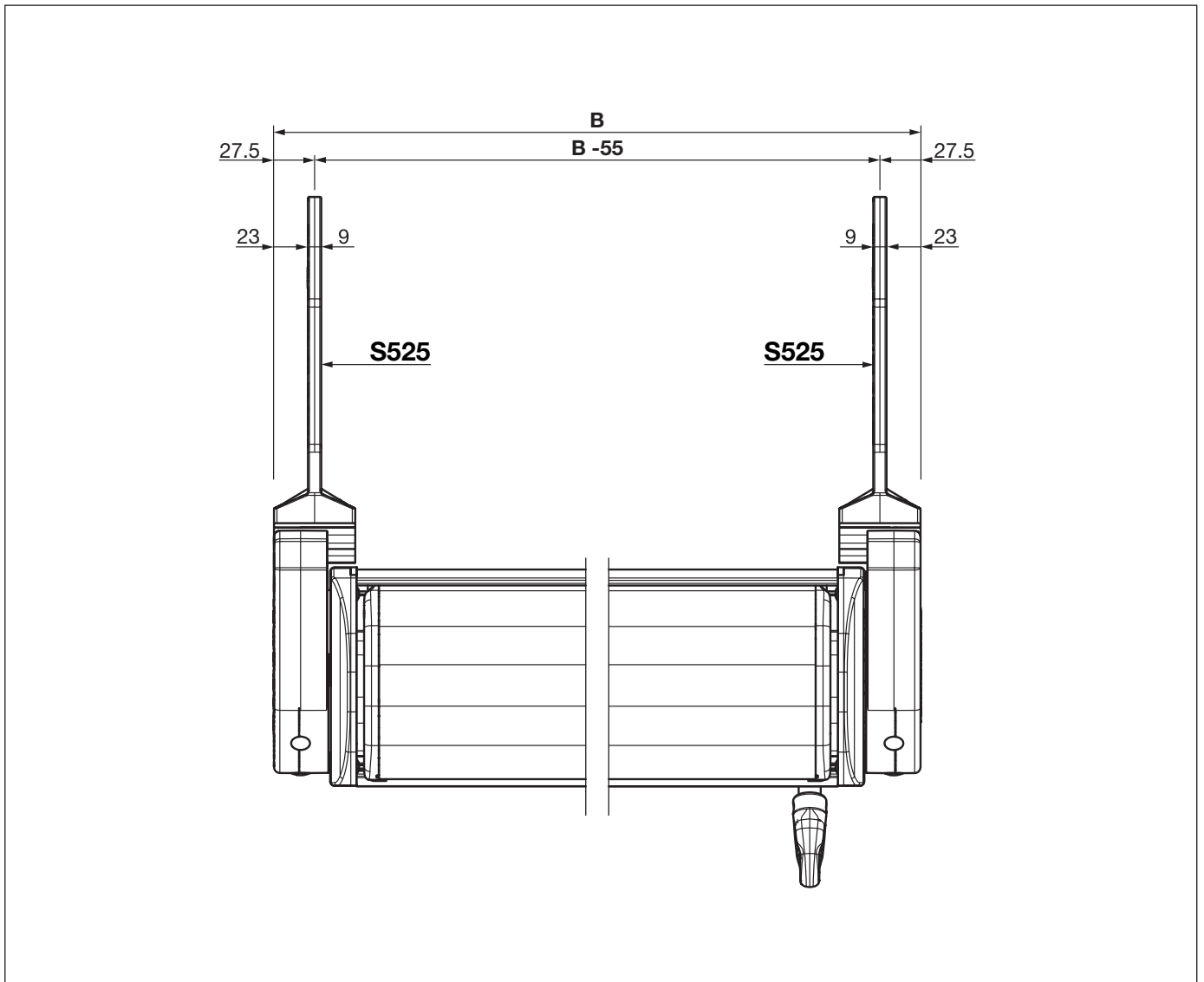


B = total width

TENDABOX BX3000

Cassette awning with folding arms

Installation drawing (rafter)

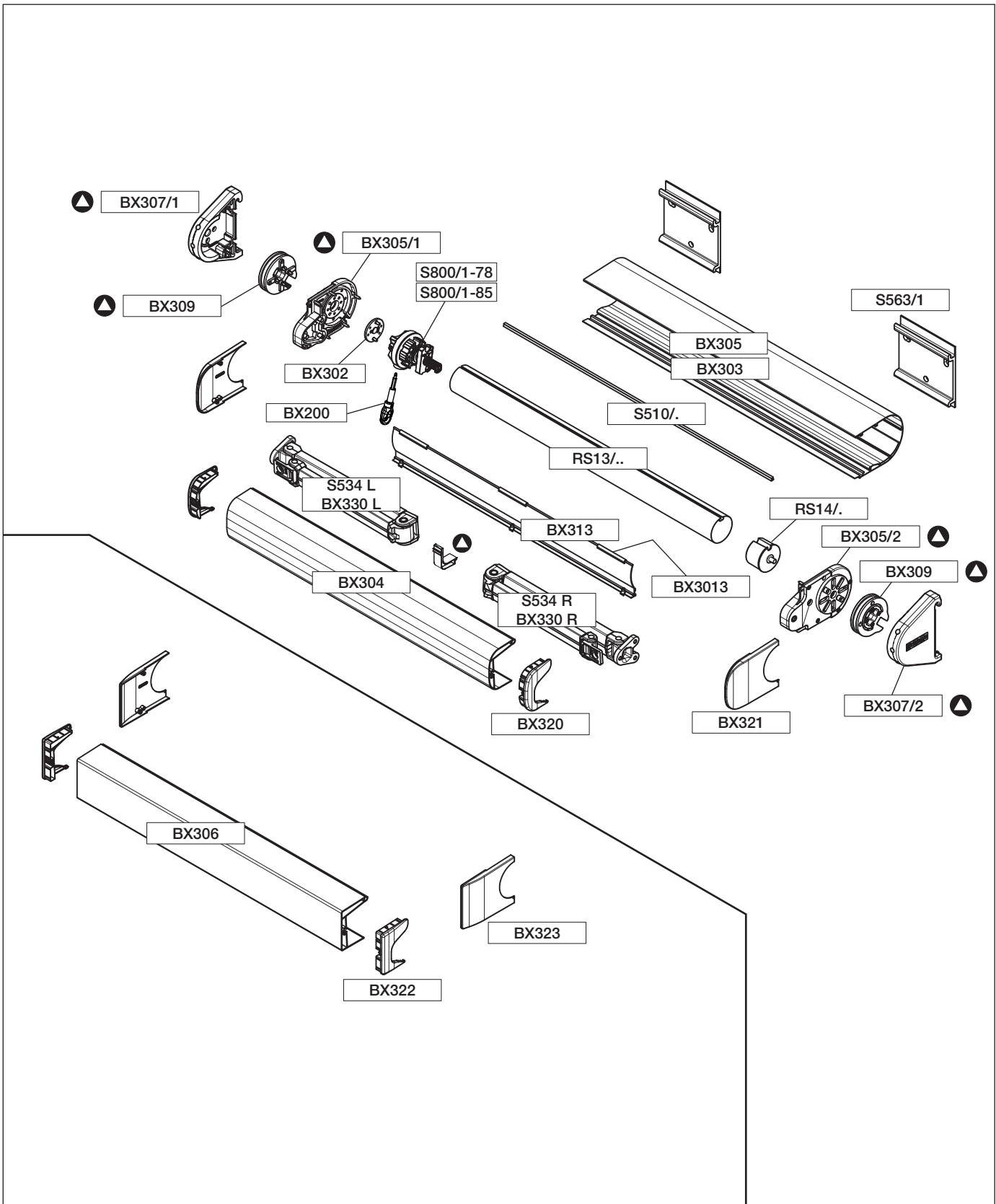


B = total width

TENDABOX BX3000

Cassette awning with folding arms

Exploded view



Set:


▲ = BX3010

BX3000

TENDABOX BX3000

Cassette awning with folding arms

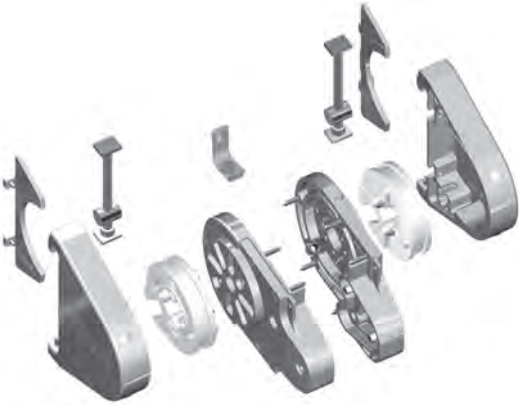
Components list

Folding arms			
S534	150 cm	pair	
	200 cm	pair	
	250 cm	pair	
	300 cm	pair	
	350 cm	pair	
BX330	150 cm	pair	
	200 cm	pair	
	250 cm	pair	
	300 cm	pair	
	350 cm	pair	
	400 cm	pair	
BX330/1	350 cm	(VOLANT-PLUS)	pair
Bracket			
S563/1	large 200 mm		pc.
S563/2	large 300 mm		pc.
S563/3	Profile 600 cm		pc.
S525	rafter		pc.
Cover profile mount			
S564/1 to S563/1			pc.
S564/2 to S563/2			pc.
Bevel gear (left)			
S800/1-78 with end stop			pc.
S800/1-85 with end stop			pc.
Bevel gear (right)			
S800/2-78 with end stop			pc.
S800/2-85 with end stop			pc.
Crank set			
BX200 to S800/-..			pc.
Adapter set TENDABOX			
BX302 to S800/-..			pc.
Tubular motors			
Motor drive E / E STAS/STAK 3			pc.
Motor drive E radio / E radio STAS/STAK 4			pc.
Box profile			
BX303	400 cm		pc.
	450 cm		pc.
	500 cm		pc.
BX305	550 cm		pc.
	600 cm		pc.
	650 cm		pc.
Band brush			
S510/1	grey		lm/Roll
S510/2	black		lm/Roll
Side cap cover kit round			
BX321			pc.
Side cap cover kit square			
BX323			pc.
Rounded front rail			
BX304	400 cm		pc.
	450 cm		pc.
	500 cm		pc.
	550 cm		pc.
	600 cm		pc.
	650 cm		pc.
Rounded end caps set			
BX320 to BX304			pc.
Square front rail			
BX306	400 cm		pc.
	450 cm		pc.
	500 cm		pc.
	550 cm		pc.
	600 cm		pc.
	650 cm		pc.
Square end caps set			
BX322 to BX306			pc.
Cover profiles			
BX313	5.00 m		pc.
	6.50 m		pc.
Cover kit			
BX3013 for BX313			pc.
Wall connection profile			
P318/1	5.00 m		pc.
	6.00 m		pc.
	7.00 m		pc.
Side cap set			
P328/1 for P318/1			pc.
Roller tube galvanised			
RS13/4 78 x 1.00 mm	4.00 m		pc.
	4.50 m		pc.
	5.00 m		pc.
	5.50 m		pc.
	6.00 m		pc.
	7.00 m		pc.
RS13/7 85 x 1.00 mm	6.00 m		pc.
	7.00 m		pc.
Roller tube gudgeon, round			
RS14/4	78 mm		pc.
RS14/7	85 mm		pc.
Operating handles			
S804	80 cm		pc.
	100 cm		pc.
	120 cm		pc.
	135 cm		pc.
	150 cm		pc.
	160 cm		pc.
	180 cm		pc.
	200 cm		pc.
Set			
BX3010	consisting of:		pc.
	1 rotary flange left BX307/1		
	1 rotary flange right BX307/2		
	2 rotary flange caps BX308		
	2 pivoting fork BX309		
	1 side cap left BX305/1		
	1 side cap right BX305/2		
	1 ball bearing		
	1 front rail stop		
	1 screw set		

TENDABOX BX3000

Cassette awning with folding arms

BX3010



Set for TENDABOX

Serves as a basic set for gear mechanisms and motor drives.

MATERIAL

Aluminium alloy casting

Set of screws: stainless steel

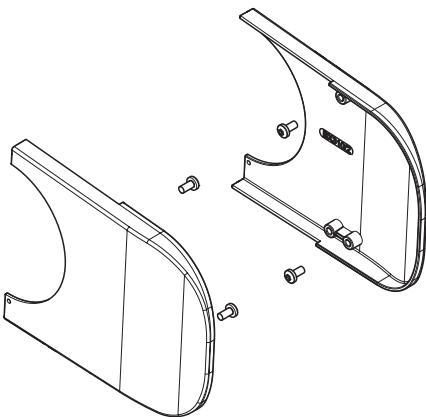
DELIVERY

1 rotary flange left	BX307/1
1 rotary flange right	BX307/2
2 rotary flange caps	BX308
2 pivoting fork	BX309
1 side cap left	BX305/1
1 side cap right	BX305/2
1 ball bearing	
1 front rail stop	
1 screw set	

PACKAGING UNIT

Set

BX321



Side cap cover kit (round)

Lateral rounded cover suitable for the side cap.

MATERIAL

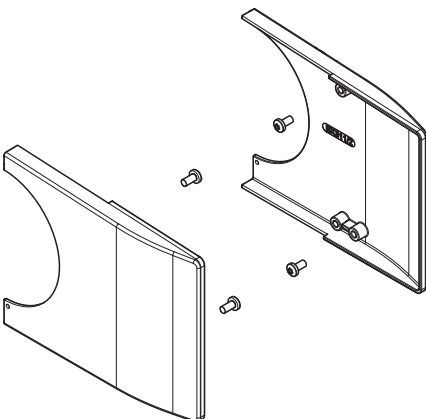
Alu compression cast alloy:

Set of screws: stainless steel

PACKAGING UNIT

Set

BX323



Side cap cover kit (square)

Lateral squared cover suitable for the side cap.

MATERIAL

Alu compression cast alloy:

Set of screws: stainless steel

PACKAGING UNIT

Set

TENDABOX BX3000

Cassette awning with folding arms

S800/1-78 S800/1-85



Bevel gear (left) with end stop

These bevel gears have a considerably better mechanical efficiency than a worm gearbox. They can therefore be used with smaller reduction. For the retraction of the awning, lesser turns are necessary.

ENGINEERING DATA

S801/1-78:	for \varnothing 78 roller tube
S801/1-85:	for \varnothing 85 roller tube
S800:	with end stop
Reduction:	4.6:1
Use:	up to max. 350cm projection with 2 arms, up to 20m ²

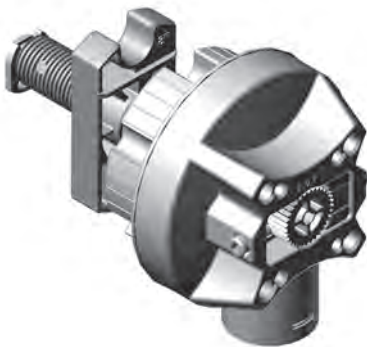
MATERIAL

Aluminium alloy casting	
Set of screws:	stainless steel

PACKAGING UNIT

Piece

S800/2-78 S800/2-85



Bevel gear (right) with free end stop

These bevel gears have a considerably better mechanical efficiency than a worm gearbox. They can therefore be used with smaller reduction. For the retraction of the awning, lesser turns are necessary.

ENGINEERING DATA

S801/2-78:	for \varnothing 78 roller tube
S801/2-85:	for \varnothing 85 roller tube
S800:	with end stop
Reduction:	4.6:1
Use:	up to max. 350cm projection with 2 arms, up to 20m ²

MATERIAL

Aluminium alloy casting	
Set of screws:	stainless steel

PACKAGING UNIT

Piece

TENDABOX BX3000

Cassette awning with folding arms

BX200



Crank set

Suitable for bevel gears S800/1-... and S800/2-...

MATERIAL

Operating handle ring: plastic

PACKAGING UNIT

Set

BX302



Adapter set TENDABOX

Suitable for bevel gears S800/1-... and S800/2-...

MATERIAL

Aluminium alloy casting

Set of screws: stainless steel

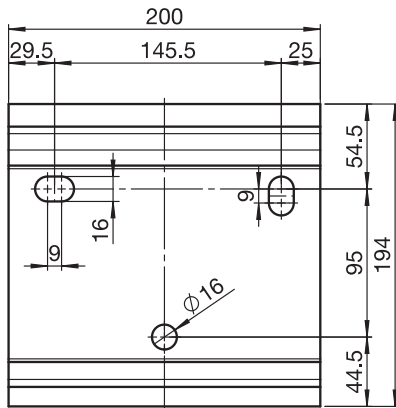
PACKAGING UNIT

Set

TENDABOX BX3000

Cassette awning with folding arms

S563/1



Bracket

The standard bracket S563/1 can be used for wall or top fixing.

ENGINEERING DATA

Size: length = 200 mm
Application: for wall or top fixing

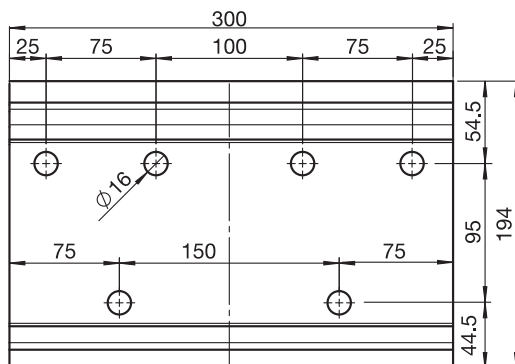
MATERIAL

Extruded aluminium profiles

PACKAGING UNIT

Piece

S563/2



Large bracket

The large bracket S563/2 can be used for wall or top fixing. The length of 300 mm is specially adapted for weak brick walls or for two installations next to each other.

ENGINEERING DATA

Size: Length = 300 mm
Application: for wall or top fixing

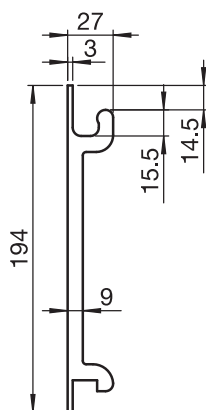
MATERIAL

Extruded aluminium profiles

PACKAGING UNIT

Piece

S563/3



Bracket profile

The bracket profile S563/3 is available in linear meter length and can be used for wall or top fixing. The desired length can be chosen. The bracket profile has no fixation holes.

ENGINEERING DATA

Size: linear meter or 6 m profile
Application: for wall or top fix
Cut edges: not lacquered (additional charges)

MATERIAL

Extruded aluminium profiles

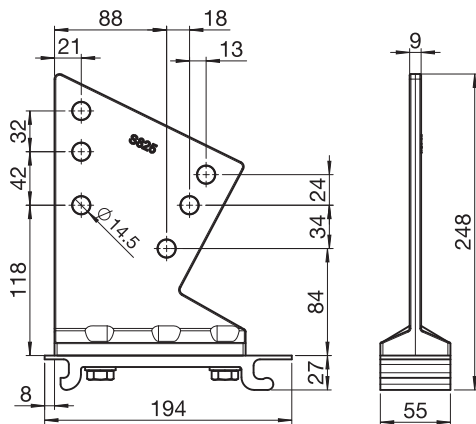
PACKAGING UNIT

Linear meter / Piece

TENDABOX BX3000

Cassette awning with folding arms

S525



Rafter bracket

The rafter bracket S525 can be used for the lateral installation on a rafter.

ENGINEERING DATA

Application: installation on rafters

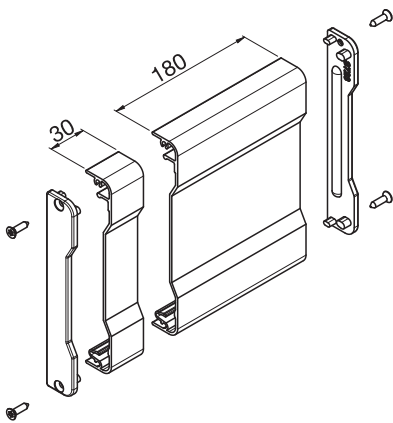
MATERIAL

Bearing: aluminium alloy casting
Bracket: extruded aluminium profiles

PACKAGING UNIT

Piece

S564/1



Cover profile set

The cover profile set is to be used with bracket S563/1.

ENGINEERING DATA

1 cover profile 30 mm	B424
1 cover profile 180 mm	B424
1 profile bracket cover left	B425 L
1 profile bracket cover right	B425 R
1 screw set	

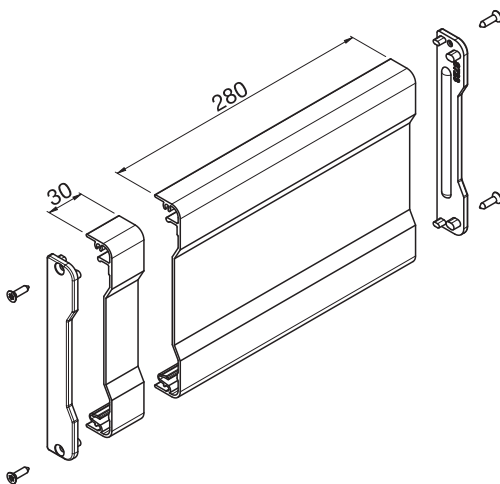
MATERIAL

Bracket cap: Aluminium extruded profile
Bracket cap side frame: Cast aluminium alloy
Screws: Stainless steel

PACKAGING UNIT

Set

S564/2



Cover profile set

The cover profile set is to be used with bracket S563/2.

ENGINEERING DATA

1 cover profile 30 mm	B424
1 cover profile 280 mm	B424
1 profile bracket cover left	B425 L
1 profile bracket cover right	B425 R
1 screw set	

MATERIAL

Bracket cap: Aluminium extruded profile
Bracket cap side frame: Cast aluminium alloy
Screws: Stainless steel

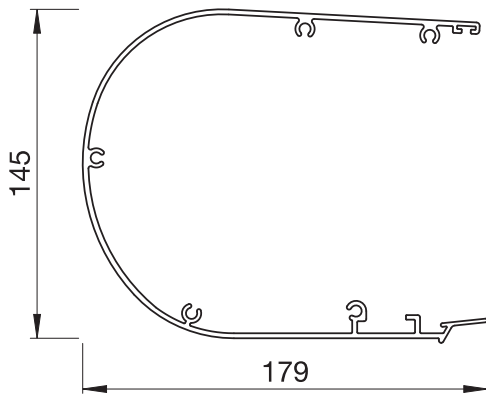
PACKAGING UNIT

Set

TENDABOX BX3000

Cassette awning with folding arms

BX303



Box profile

The box has a slot to take the band brush.
The band brush is not included in the delivery package.

ENGINEERING DATA

Standard lengths: 400, 450, 500 cm

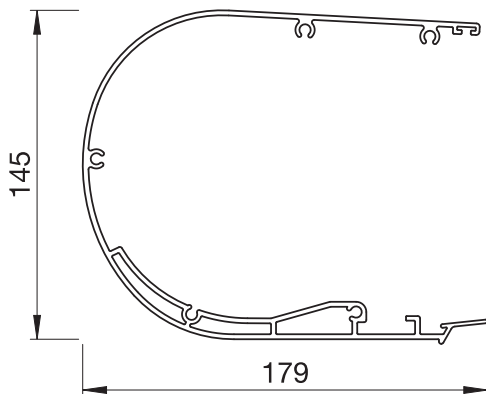
MATERIAL

Extruded aluminium profiles

PACKAGING UNIT

Piece

BX305



Box profile

The box has a slot to take the band brush.
The band brush is not included in the delivery package.

ENGINEERING DATA

Standard lengths: 550, 600, 650 cm

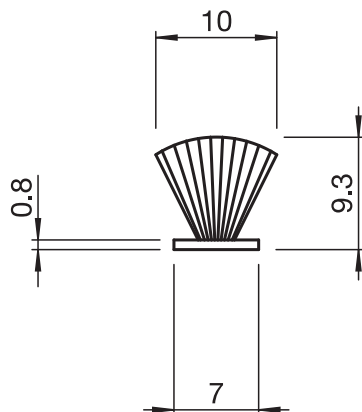
MATERIAL

Extruded aluminium profiles

PACKAGING UNIT

Piece

S510/.



Band brush

Band brush for the box BX303, BX305.

ENGINEERING DATA

Size: S510/1 = grey
S510/2 = black

MATERIAL

Brush: plastic

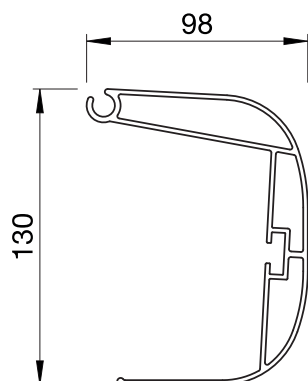
PACKAGING UNIT

Rolls or linear meter

TENDABOX BX3000

Cassette awning with folding arms

BX304



Rounded front rail

Front rail for BX303 / BX305 box profile.

ENGINEERING DATA

Standard lengths: 400, 450, 500, 550, 600, 650 cm

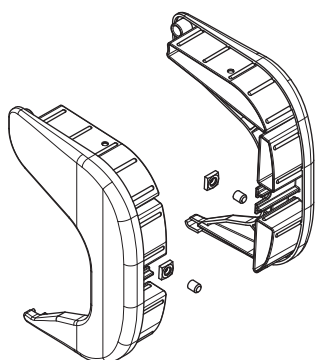
MATERIAL

Extruded aluminium profiles

PACKAGING UNIT

Piece

BX320



End caps

Lateral end caps for front rail BX304.

MATERIAL

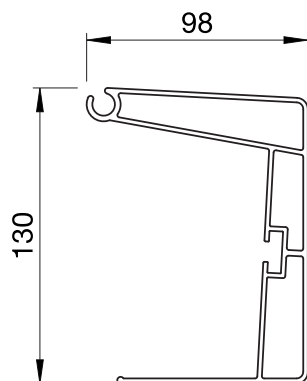
Plastic:

Set of screws: stainless steel

PACKAGING UNIT

Set

BX306



Square front rail

Front rail for BX303 / BX305 box profile.

ENGINEERING DATA

Standard lengths: 500, 650 cm

MATERIAL

Extruded aluminium profiles

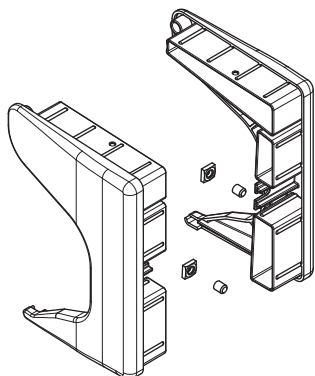
PACKAGING UNIT

Piece

TENDABOX BX3000

Cassette awning with folding arms

BX322



End caps

Lateral end caps for front rail BX306.

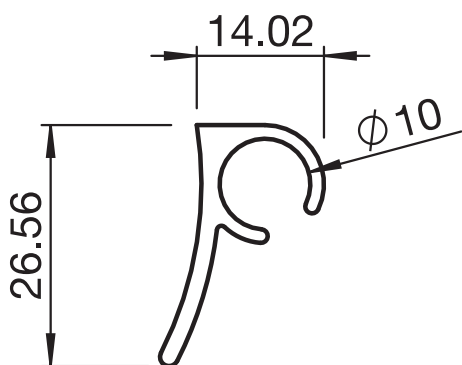
MATERIAL

Plastic:
Set of screws: stainless steel

PACKAGING UNIT

Set

S551



Valance profile

The valance profile is riveted to the front rail. The installation position must be observed according to the incline.

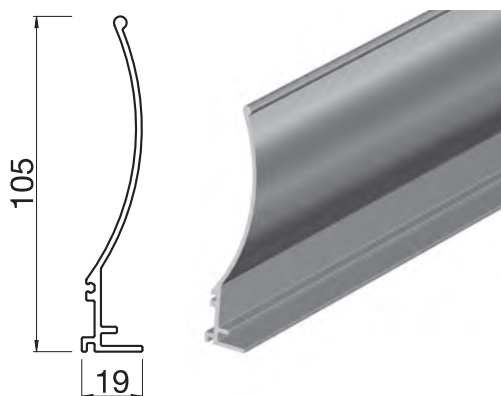
MATERIAL

Extruded aluminium profiles

PACKAGING UNIT

Piece

BX313



Cover profiles

The cover profile is used as visual protection for the roller shaft and it is fastened to the box profile.

ENGINEERING DATA

Standard lengths: 500, 650 cm

MATERIAL

Extruded aluminium profiles

PACKAGING UNIT

Piece

TENDABOX BX3000

Cassette awning with folding arms

BX3013



Cover kit

The cover kit is necessary in connection with the cover profile BX313.

DELIVERY

3 slip protection
3 romben nut
3 ISK screws

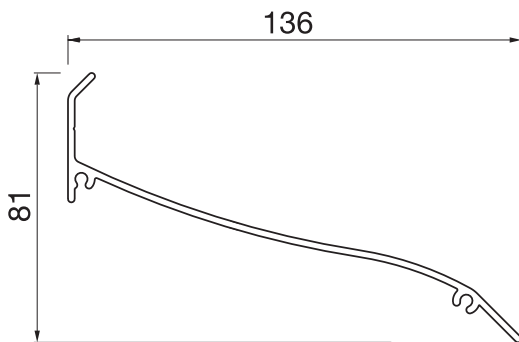
MATERIAL

Plastic:
Set of screws: stainless steel

PACKAGING UNIT

Set

P318/1



Wall connection profile

The wall connection profile is to be attached to the facade, thus preventing the rain to drop between the facade and the awning. On wall fix installations the profile must be caulked with Silicone.

ENGINEERING DATA

Standard lengths: 500, 600, 700 cm

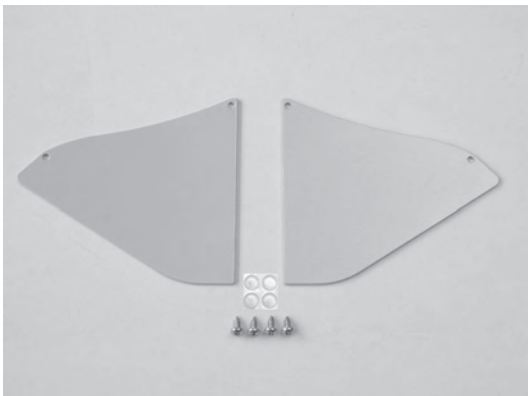
MATERIAL

Extruded aluminium profile

PACKAGING UNIT

Piece

P328/1



Side cap set

Side caps for wall connection profile P318/1.

MATERIAL

Side caps: aluminium sheet
Screws: stainless steel

PACKAGING UNIT

Set

TENDABOX BX3000

Cassette awning with folding arms

S534

Folding arms

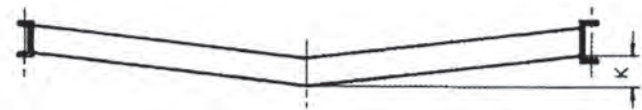


Folding arms for cassette awnings TENDABOX BX3000 until 350 cm projection and until 600 cm total width. The middle joint has a negative break.

ENGINEERING DATA

Folding arm with integrated tension spring and stainless steel cable arm projection measured from the wall to the leading edge drop profile.

Profile sizes: 50 x 30 mm, 65 x 40 mm
Standard lengths: 150, 200, 250, 300, 350 cm



Length of arms in cm	150	200	250	300	350
K in cm	3	6	9	11	14

MATERIAL

Arm profiles: extruded aluminium profiles
Joints: aluminium alloy casting
Double cables: stainless steel cables with sleeves

PACKAGING UNIT

Pair or palett of 25 pairs

TENDABOX BX3000

Cassette awning with folding arms

BX330

Folding arms



Folding arms for cassette awnings TENDABOX BX3000. The folding parts are dropforged for higher stability. This folding arm can only be used for the TENDABOX BX3000 awning.

ENGINEERING DATA

Folding arm with integrated tension spring and stainless steel cable arm projection measured from the wall to the leading edge drop profile.

Profile sizes: 62 x 34 mm, 80 x 48 mm
Standard lengths: 150, 200, 250, 300, 350, 400 cm



Length of arms in cm	150	200	250	300	350	400
K in cm	3	6	9	11	14	17

MATERIAL

Arm profiles: Extruded aluminium profiles
Joints: Aluminium dropforged
Cables: Stainless steel cable with protection sleeves

PACKAGING UNIT

Pair

TENDABOX BX3000

Cassette awning with folding arms

BX330/1

Folding arms (VOLANT-PLUS)



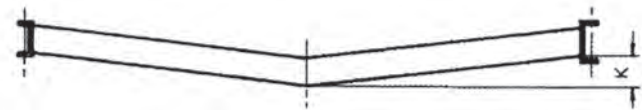
Folding arms for cassette awnings TENDABOX BX3000 until 350 cm projection and from 500 cm total width. The folding parts are dropforged for higher stability. This folding arm can only be used for the TENDABOX BX3000 awning.

Use only in combination with VOLANT PLUS.

ENGINEERING DATA

Folding arm with integrated tension spring and stainless steel cable arm projection measured from the wall to the leading edge drop profile.

Profile sizes: 62 x 34 mm, 80 x 48 mm
Standard lengths: 350 cm



Length of arms in cm 350
K in cm 15

MATERIAL

Arm profiles: Extruded aluminium profiles
Joints: Aluminium dropforged
Cables: Stainless steel cable with protection sleeves

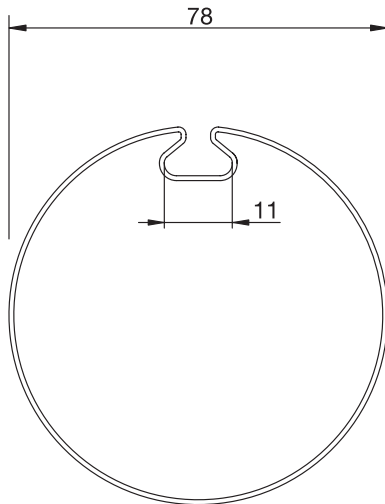
PACKAGING UNIT

Pair

TENDABOX BX3000

Cassette awning with folding arms

RS13/4



Galvanized roller tube 78 mm

Galvanized roller tube 78 mm with flat groove is suitable for all STOBAG awnings.

ENGINEERING DATA

RS13/4
Standard lengths: $\varnothing 78 \times 1.00$ mm galvanized
400, 450, 500, 550, 600, 700 cm

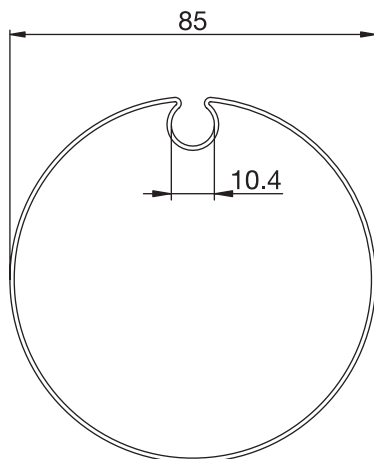
MATERIAL

Steel sheet galvanized

PACKAGING UNIT

Piece

RS13/7



Galvanized roller tube 85 mm

Galvanized roller tube 85 mm.
Used for total width of 551 cm to 650 cm.

ENGINEERING DATA

RS13/7
Standard lengths: $\varnothing 85 \times 1.00$ mm galvanised
600, 700 cm

MATERIAL

Steel profile galvanised

PACKAGING UNIT

Piece

RS14/..



Roller tube gudgeon (plastic without board)

Bearing pin standard without edge, suitable for roller shaft RS13/..

ENGINEERING DATA

RS14/4 for 78er Galvanized roller
RS14/7 for 85er Galvanized roller

MATERIAL

Roller tube gudgeon: Plastic

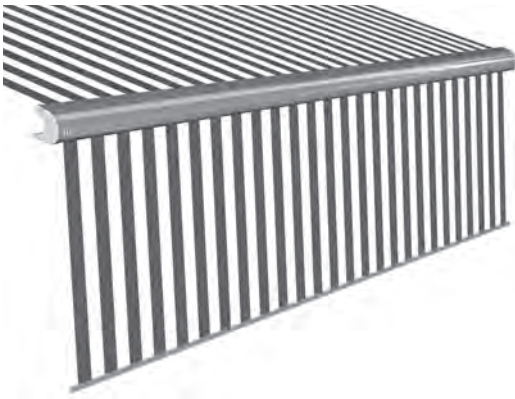
PACKAGING UNIT

Piece

VOLANT-PLUS FOR TYPE TENDABOX BX3000

Roller valance

VOLANT-PLUS



Description

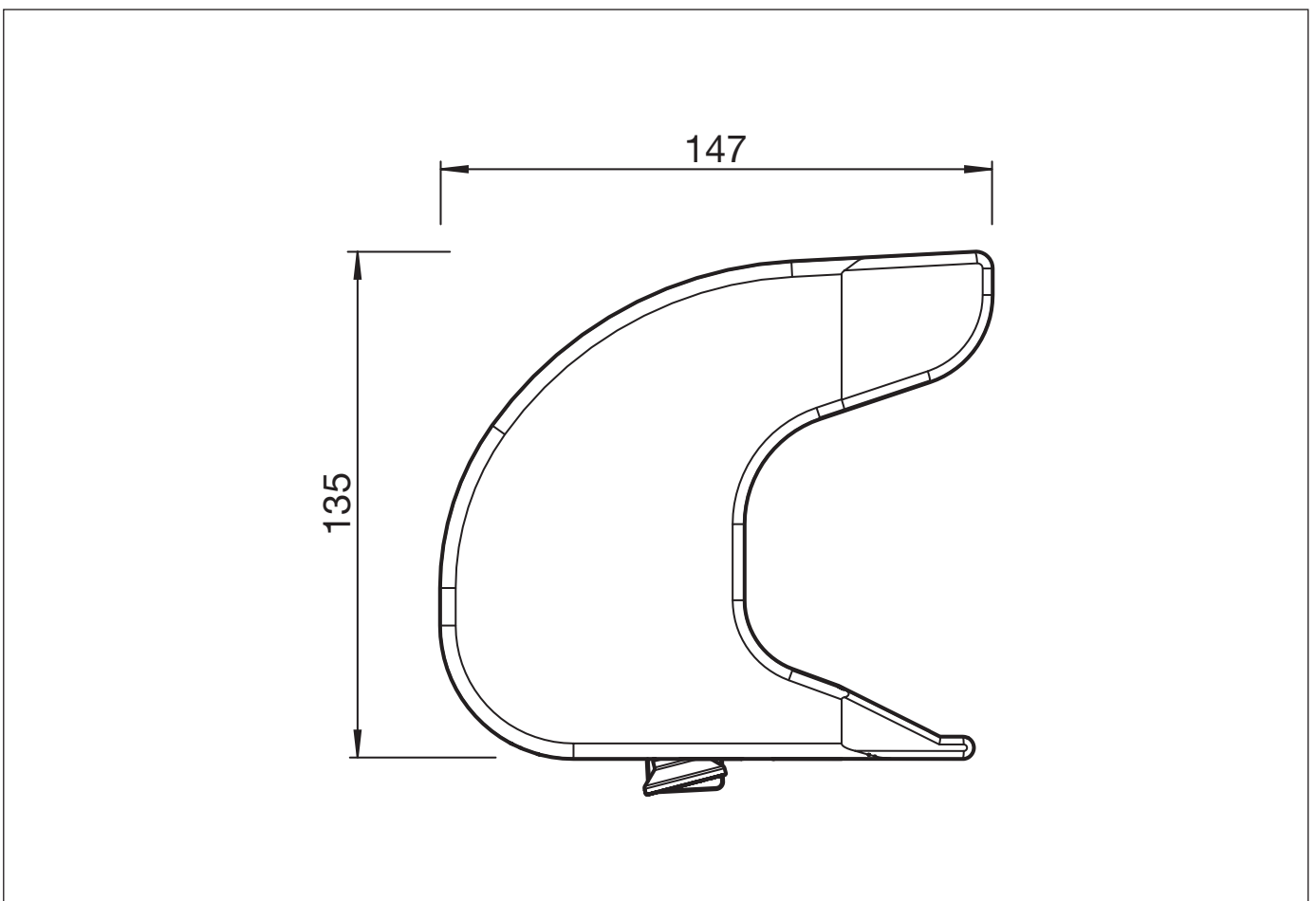
VOLANT PLUS is a drop profile with integrated roller shaft, fabric and declining profile. The cover can be lowered with a gear and crank.



* 120 cm Acryl
* 170 cm Soltis

VOLANT-PLUS

Dimensioning

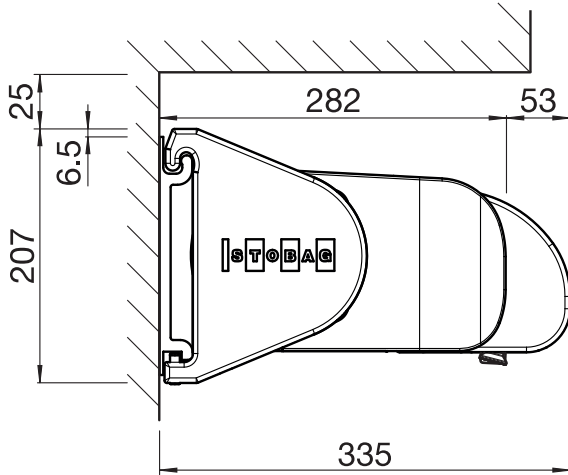


TENDABOX BX3000

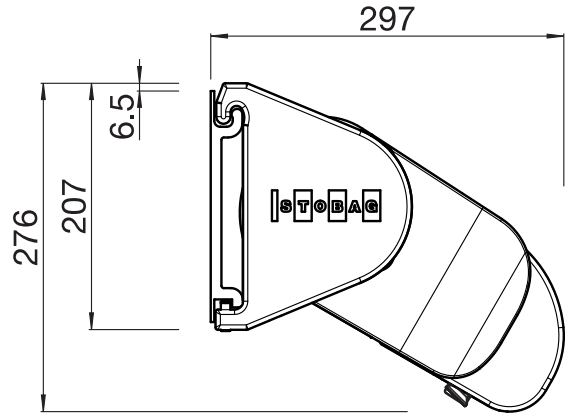
Roller valance

Wall fixing with VALANCE-PLUS

Drop-out = 0°

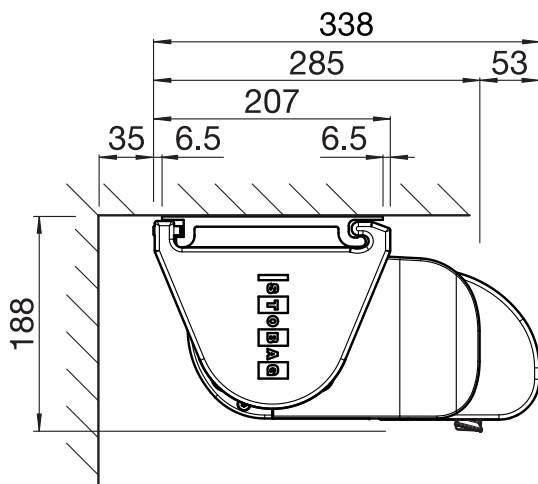


Drop-out = 30°

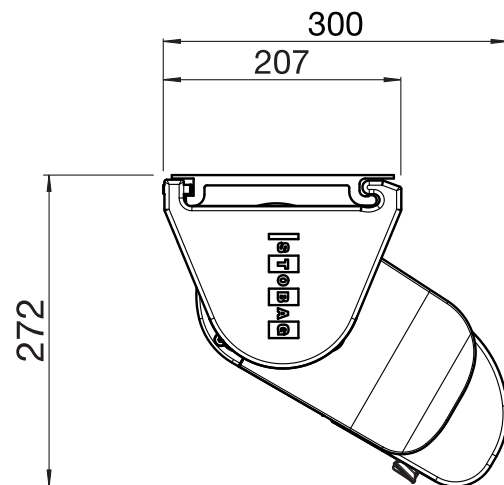


Top fixing with VALANCE-PLUS

Drop-out = 0°



Drop-out = 30°



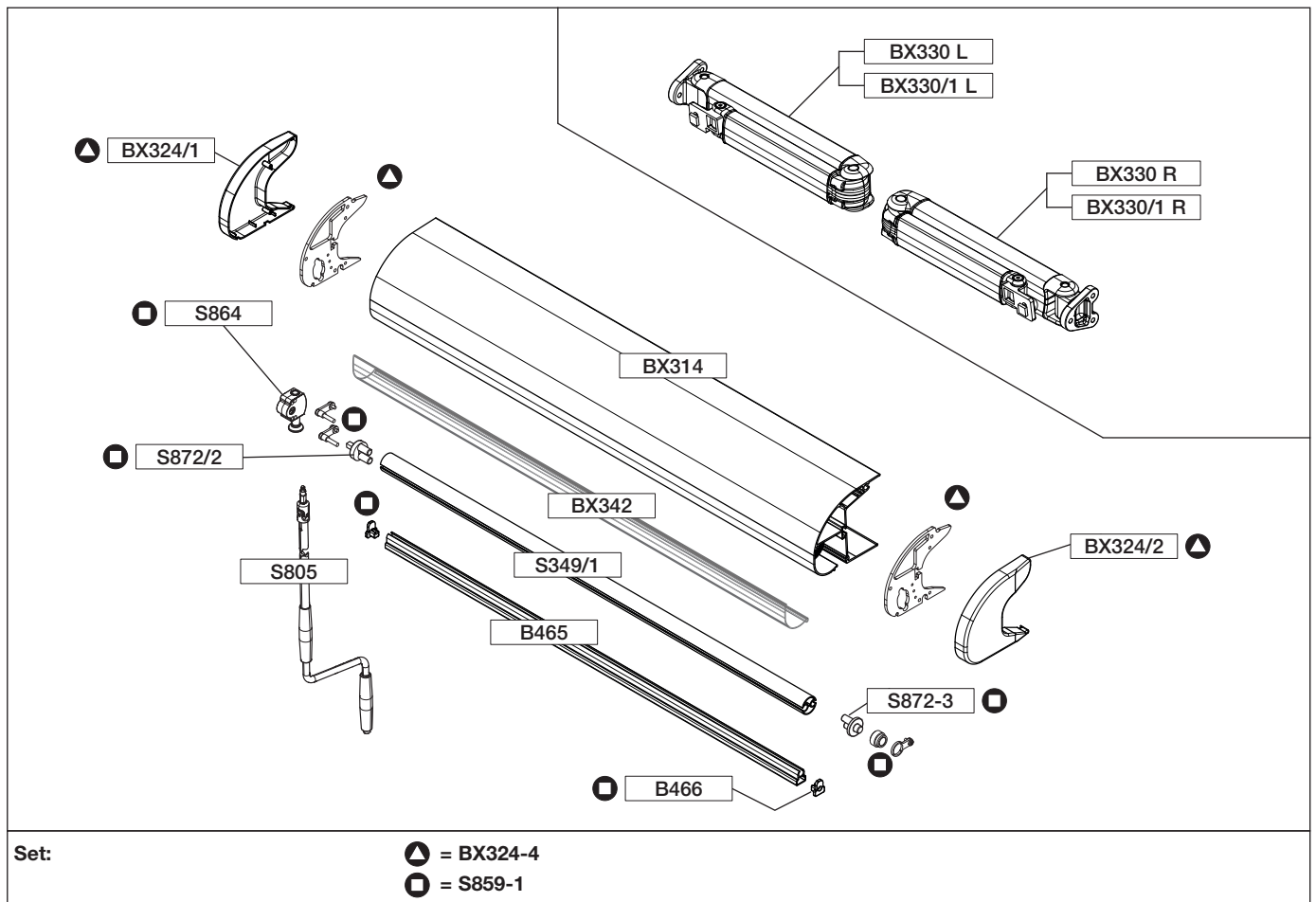
B = total width

VOLANT-PLUS FOR TYPE TENDABOX BX3000

Roller valance

VOLANT-PLUS

Exploded view



VOLANT-PLUS

Arme für VOLANT-PLUS

BX330	150 cm	pair
	200 cm	pair
	250 cm	pair
	300 cm	pair

BX330/1	350 cm	pair
---------	--------	------

AV-Front rail

BX314	500 cm	pc.
	650 cm	pc.

Sliding bowl

BX342 to BX314	350 cm	pc.
----------------	--------	-----

Front rail

B465	600 cm	pc.
	700 cm	pc.

AV-Roller tube

S349/1	400 cm	pc.
	500 cm	pc.
	600 cm	pc.
	700 cm	pc.

Components list

AV-End cap fitting

BX324-4 consisting of:	pc.
▲ 1 End cap left BX324/1	
▲ 1 End cap right BX324/2	
2 Drop profile plates	
1 Set of screws	

AV-Set

S859-1 consisting of:	pc.
◻ 2 Front rail covers B466	
1 Set AV S859-1 A2	

Connecting rod pluggable

S805	88 cm	pc.
------	-------	-----

VOLANT-PLUS FOR TYPE TENDABOX BX3000

Roller valance

BX324-4



AV-End cap fitting

AV-End cap fitting for VOLANT-PLUS.

DELIVERY

1 End cap left	BX324/1
1 End cap right	BX324/2
2 Drop profile plates	
1 set of screws	

MATERIAL

End cap:	Plastic
Drop profile plate:	Aluminium sheet
Screws:	Stainless steel

PACKAGING UNIT

Set

S859-1



AV-Set

AV-Set for VOLANT-PLUS.

DELIVERY

2 Front rail covers	B466
1 Set AV	S859-1 A2

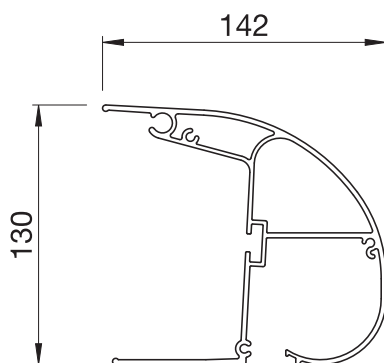
MATERIAL

Gearbox, Journal pin,	
Front rail cover:	Aluminium alloy casting
Screws:	Stainless steel

PACKAGING UNIT

Set

BX314



AV-Front rail

Drop profile to TENDABOX awning with chamber for holding drop valances.

Only available in combination with the drop valance.

ENGINEERING DATA

Standard lengths:	500, 650 cm
-------------------	-------------

MATERIAL

Extruded aluminium profiles

PACKAGING UNIT

Piece

VOLANT-PLUS FOR TYPE TENDABOX BX3000

Roller valance

BX342



Sliding bowl

The sliding bowl is necessary for use with front rail BX314.

ENGINEERING DATA

Standard lengths: 350 cm

MATERIAL

Plastic

PACKAGING UNIT

Set

B465



Front rail

Valance declining profile suitable for drop valance, with rivets for awning fabric support.

ENGINEERING DATA

Standard lengths: 600, 700 cm

MATERIAL

Front rail: Extruded aluminium profiles

PACKAGING UNIT

Piece

S349/1



Galvanized roller

Roller shaft suitable for drop valance, with rivets for fabric support.

ENGINEERING DATA

Standard lengths: 400, 500, 600, 700 cm

MATERIAL

AV-Galvanized roller Extruded aluminium profiles

PACKAGING UNIT

Piece

VOLANT-PLUS FOR TYPE TENDABOX BX3000

Roller valance

BX330

Folding arms

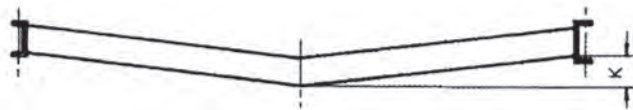


Folding arms for cassette awnings TENDABOX BX3000 until 350 cm projection and from 600 cm total width. The folding parts are dropforged for higher stability. This folding arm can only be used for the TENDABOX BX3000 awning.

ENGINEERING DATA

Folding arm with integrated tension spring and stainless steel cable arm projection measured from the wall to the leading edge drop profile.

Profile sizes: 62 x 34 mm, 80 x 48 mm
Standard lengths: 150, 200, 250, 300, 350 cm



Length of arms in cm	150	200	250	300	350
K in cm	3	6	9	11	14

MATERIAL

Arm profiles: Extruded aluminium profiles
Joints: Aluminium dropforged
Cables: Stainless steel cable with protection sleeves

PACKAGING UNIT

Pair

VOLANT-PLUS FOR TYPE TENDABOX BX3000

Roller valance

BX330/1

Folding arms (VOLANT-PLUS)



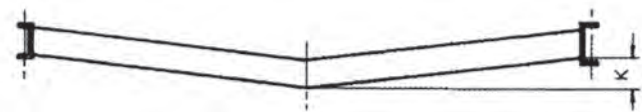
Folding arms for cassette awnings TENDABOX BX3000 until 350 cm projection and from 500 cm total width. The folding parts are dropforged for higher stability. This folding arm can only be used for the TENDABOX BX3000 awning.

Use only in combination with VOLANT PLUS.

ENGINEERING DATA

Folding arm with integrated tension spring and stainless steel cable arm projection measured from the wall to the leading edge drop profile.

Profile sizes: 62 x 34 mm, 80 x 48 mm
Standard lengths: 350 cm



Length of arms in cm 350
K in cm 15

MATERIAL

Arm profiles: Extruded aluminium profiles
Joints: Aluminium dropforged
Cables: Stainless steel cable with protection sleeves

PACKAGING UNIT

Pair